

Diode block - EMG 45-DIO 8E/LP - 2954798


Please be informed that the data shown in this PDF Document is generated from our Online Catalog. Please find the complete data in the user's documentation. Our General Terms of Use for Downloads are valid (<http://phoenixcontact.com/download>)



Lamp test module, 2 diodes with common cathode: with 4 pairs, for individual wiring



Key Commercial Data

Packing unit	5 pc
GTIN	 4 017918 085131
GTIN	4017918085131

Technical data

Dimensions

Width	45 mm
Height	75 mm
Depth	55 mm

Ambient conditions

Ambient temperature (operation)	-20 °C ... 50 °C
Ambient temperature (storage/transport)	-40 °C ... 70 °C

General

Peak reverse voltage per diode	1300 V
Reverse current per diode	≤ 5 µA
Conducting state voltage per diode	approx. 0.8 V
Conducting state current per diode	0.7 A (with single load) 0.4 A (with simultaneous loads)
Mounting position	any
Assembly instructions	In rows with zero spacing

Connection data

Connection method	Screw connection
-------------------	------------------

Diode block - EMG 45-DIO 8E/LP - 2954798

Technical data

Connection data

Stripping length	8 mm
Screw thread	M3
Conductor cross section solid	0.2 mm ² ... 4 mm ²
Conductor cross section flexible	0.2 mm ² ... 2.5 mm ²
Conductor cross section AWG	24 ... 12

Standards and Regulations

Standards/regulations	DIN EN 50178
Pollution degree	2

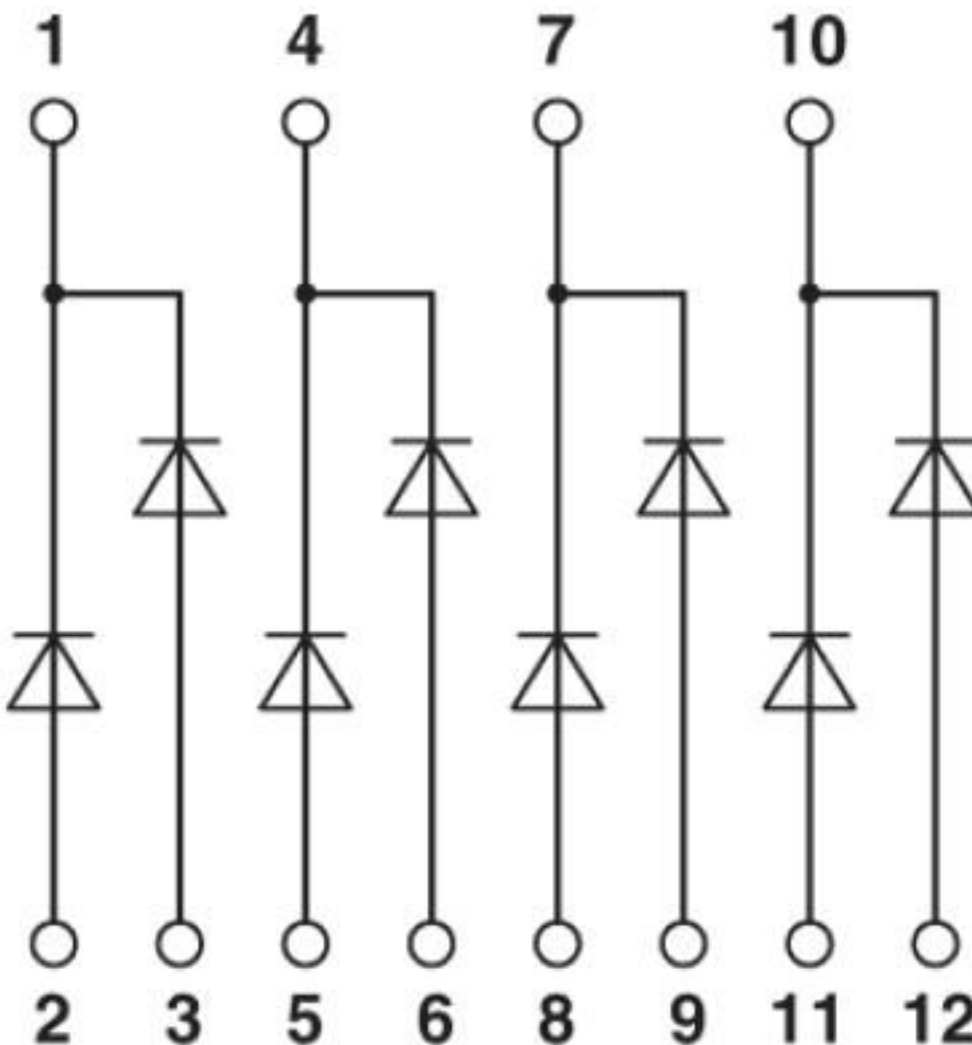
Environmental Product Compliance

REACH SVHC	Lead 7439-92-1
China RoHS	Environmentally Friendly Use Period = 50 years
	For details about hazardous substances go to tab "Downloads", Category "Manufacturer's declaration"

Drawings

Diode block - EMG 45-DIO 8E/LP - 2954798

Circuit diagram



Classifications

eCl@ss

eCl@ss 10.0.1	27371010
eCl@ss 11.0	27371010
eCl@ss 4.0	27250300
eCl@ss 4.1	27260800
eCl@ss 5.0	27371000
eCl@ss 5.1	27371000
eCl@ss 6.0	27371000
eCl@ss 7.0	27371010
eCl@ss 8.0	27371010
eCl@ss 9.0	27371010

Diode block - EMG 45-DIO 8E/LP - 2954798

Classifications

ETIM

ETIM 4.0	EC000683
ETIM 5.0	EC000683
ETIM 6.0	EC000683
ETIM 7.0	EC000683

UNSPSC

UNSPSC 6.01	30211506
UNSPSC 7.0901	39121008
UNSPSC 11	39121008
UNSPSC 12.01	39121008
UNSPSC 13.2	32151504
UNSPSC 18.0	32151504
UNSPSC 19.0	32151504
UNSPSC 20.0	32151504
UNSPSC 21.0	32151504

Approvals

Approvals

Approvals

EAC

Ex Approvals

Approval details

EAC		RU*DE*08.B.01841/19
-----	--	---------------------

Accessories

Accessories

Marking material - EMG-GKS 12 - 2947035



Device marking label, width: 12 mm, area: 12 x 8 mm, e.g. for EML(10x7) R adhesive marking material

Diode block - EMG 45-DIO 8E/LP - 2954798

Accessories

Phoenix Contact 2020 © - all rights reserved
<http://www.phoenixcontact.com>

PHOENIX CONTACT GmbH & Co. KG
Flachsmarktstr. 8
32825 Blomberg
Germany
Tel. +49 5235 300
Fax +49 5235 3 41200
<http://www.phoenixcontact.com>