

Ethernet HART multiplexer - GW PL ETH/UNI-BUS - 2702233

Please be informed that the data shown in this PDF Document is generated from our Online Catalog. Please find the complete data in the user's documentation. Our General Terms of Use for Downloads are valid (<http://phoenixcontact.com/download>)



Ethernet head station for modular HART gateway. Connect up to five GW PL HART...-BUS expansion modules to communicate with up to 40 HART devices. Supports Modbus TCP, OPC UA, PROFINET, HART IP, FDT/DTM and Arcom.

Product Description


Ethernet HART multiplexer provides a simple way to parameterize and monitor HART instruments on an Ethernet network and is an ideal replacement for RS-485 HART multiplexer systems. The multiplexer allows users to perform time and money saving operations from the comfort of an office – including loop checks, device calibration, and improved process monitoring with multivariable devices.

Your advantages

- ✓ Extended temperature range, -40 °C ... +70 °C
- ✓ Monitor PV, SV, TV, QV HART variables using Modbus TCP or PROFINET.
- ✓ Monitor up to 14 HART variables using OPC UA.
- ✓ Supports Arcom for simple integration into Emerson AMS.
- ✓ Available communication DTM integrates into an FDT/DTM container and provides the ability to remotely configure HART instruments.
- ✓ Independent HART master per channel ensures fastest update rates.



Key Commercial Data

Packing unit	1 pc
GTIN	 4 055626 067049
GTIN	4055626067049

Technical data

Note

Utilization restriction	Use in potentially explosive areas is not permitted in China.
-------------------------	---

Dimensions

Width	22.5 mm
Height	99 mm
Depth	114.5 mm

Ambient conditions

Ethernet HART multiplexer - GW PL ETH/UNI-BUS - 2702233

Technical data

Ambient conditions

Ambient temperature (operation)	-40 °C ... 70 °C
	-40 °F ... 158 °F
Ambient temperature (storage/transport)	-40 °C ... 85 °C
Degree of protection	IP20

General

Test voltage data interface/power supply	500 V AC
Electromagnetic compatibility	Conformance with EMC Directive 2004/108/EC
Mounting position	any
Assembly instructions	on standard DIN rail NS 35 in accordance with EN 60715
Net weight	216.9 g
Color	gray
MTBF	292 Years (Siemens model SN29500, temperature 40°C, env. factor 1.5 and stress factor 50%)
Conformance	CE-compliant

Power supply

Supply voltage range	19.2 V DC ... 30 V DC
Max. current consumption	63 mA (at 24 V DC)
Typical current consumption	46 mA (at 24 V DC)

Interfaces

Interface 1	Bus
Transmission length	≤ 100 m
Output nominal voltage	24 V DC
Maximum output current	3.937 A (per station)
Interface 2	Modbus/TCP, HART IP, PROFINET
Interface	Ethernet 10/100Base T
Connection method	RJ45 socket, auto negotiation and auto crossing
Protocols supported	Modbus/TCP, HART IP, PROFINET

Function

Web-based management	yes
----------------------	-----

Standards and Regulations

Electromagnetic compatibility	Conformance with EMC Directive 2004/108/EC
Conformance	CE-compliant
Noxious gas test	ISA-S71.04-1985 G3 Harsh Group A
ATEX	# II 3 G Ex nA IIC T4 Gc DEMKO 17 ATEX 1749X
IECEX	IECEX ULD 17.0020X Ex nA IIC T4 Gc
UL, USA/Canada	Class I, Div. 2, Groups A, B, C, D

Environmental Product Compliance

China RoHS	Environmentally Friendly Use Period = 50 years
------------	--

Ethernet HART multiplexer - GW PL ETH/UNI-BUS - 2702233

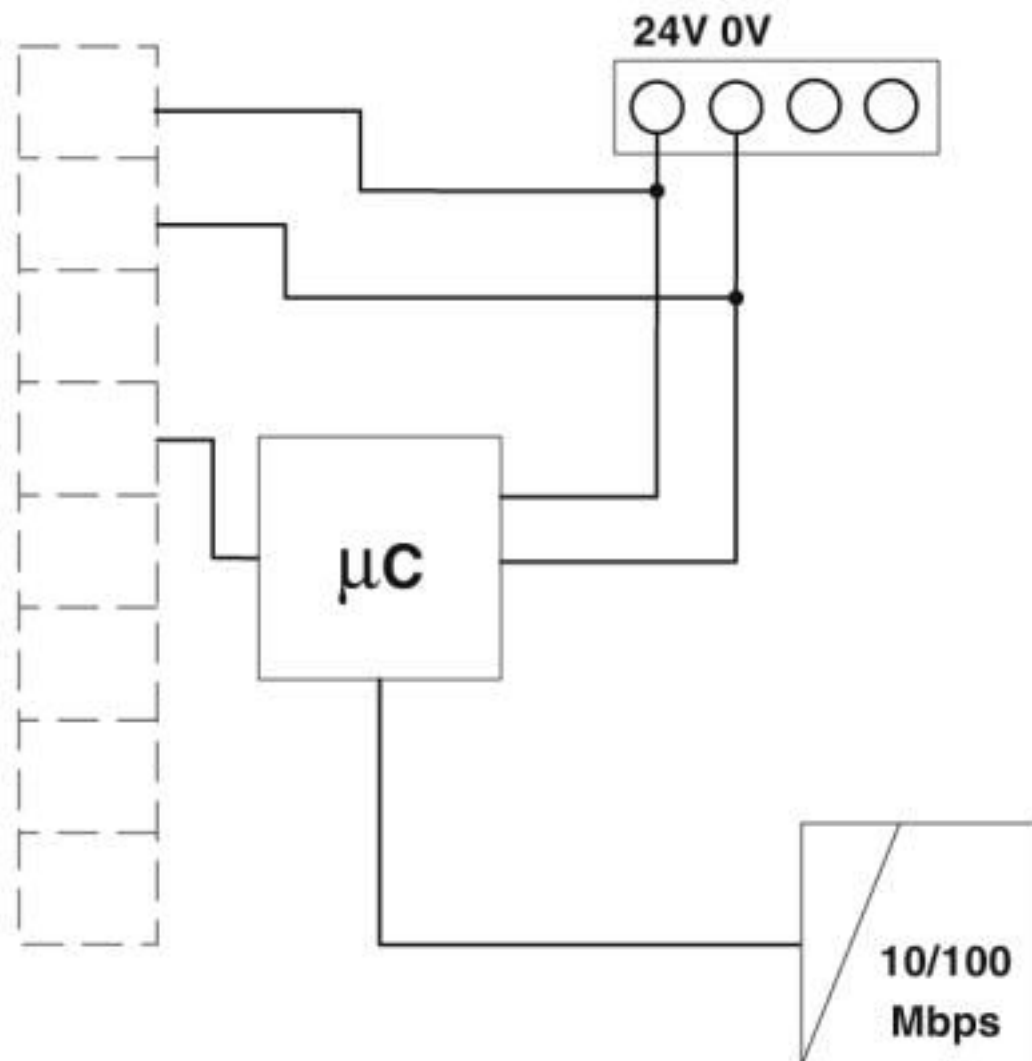
Technical data

Environmental Product Compliance

	For details about hazardous substances go to tab "Downloads", Category "Manufacturer's declaration"
--	---

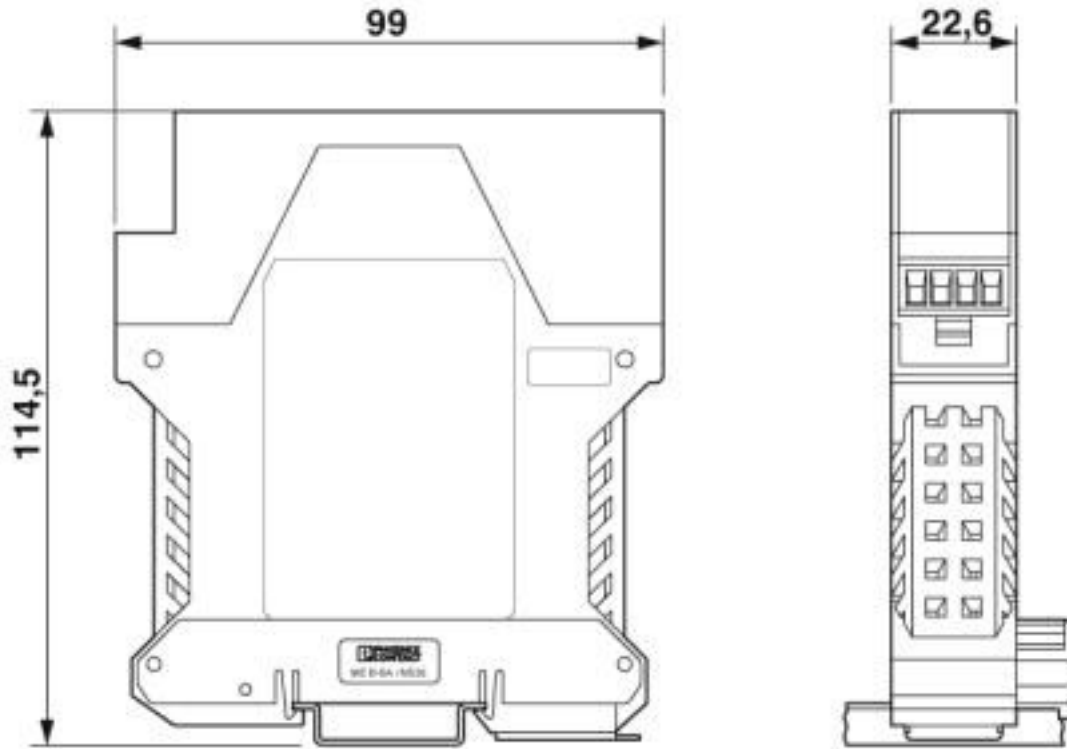
Drawings

Block diagram



Ethernet HART multiplexer - GW PL ETH/UNI-BUS - 2702233

Dimensional drawing



Classifications

eCl@ss

eCl@ss 10.0.1	27242208
eCl@ss 11.0	27242208
eCl@ss 5.0	27242700
eCl@ss 5.1	27242700
eCl@ss 6.0	27242200
eCl@ss 7.0	27242208
eCl@ss 8.0	27242208
eCl@ss 9.0	27242208

ETIM

ETIM 5.0	EC001423
ETIM 6.0	EC001423
ETIM 7.0	EC001423

Approvals

Approvals

Ethernet HART multiplexer - GW PL ETH/UNI-BUS - 2702233

Approvals

Approvals

UL Listed / cUL Listed / PROFINET / cULus Listed

Ex Approvals

UL Listed / cUL Listed / IECEx / ATEX / cULus Listed

Approval details

UL Listed		http://database.ul.com/cgi-bin/XYV/template/LISEXT/1FRAME/index.htm	FILE E 238705
-----------	--	---	---------------

cUL Listed		http://database.ul.com/cgi-bin/XYV/template/LISEXT/1FRAME/index.htm	FILE E 238705
------------	--	---	---------------

PROFINET			Z12378
----------	--	--	--------

cULus Listed			
--------------	--	--	--

Accessories

Accessories

I/O component

Protocol converter - GW PL HART4-BUS - 2702234



Four-channel HART[®] expansion module, with screw connection

Protocol converter - GW PL HART8-BUS - 2702235



Eight-channel HART[®] expansion module, with screw connection

Ethernet HART multiplexer - GW PL ETH/UNI-BUS - 2702233

Accessories

Protocol converter - GW PL HART8+AI-BUS - 2702236



Eight-channel HART[®] expansion module with analog loop supply and screw connection

Protocol converter - GW PL DIO4-BUS - 2702237



Four-channel digital input and four-channel digital output module with screw connection

Protocol converter - GW PL HART4-R-BUS - 2702879



Four-channel HART[®] expansion module, with screw connection, with 250 Ω internal input resistors

Protocol converter - GW PL HART8-R-BUS - 2702880



Eight-channel HART[®] expansion module, with screw connection, with 250 Ω internal input resistors

Phoenix Contact 2020 © - all rights reserved
<http://www.phoenixcontact.com>

PHOENIX CONTACT GmbH & Co. KG
Flachsmarktstr. 8
32825 Blomberg
Germany
Tel. +49 5235 300
Fax +49 5235 3 41200
<http://www.phoenixcontact.com>