

## T distributor - SAC-5PT-FB/2XMB PBDP SH - 1424711

Please be informed that the data shown in this PDF Document is generated from our Online Catalog. Please find the complete data in the user's documentation. Our General Terms of Use for Downloads are valid (<http://phoenixcontact.com/download>)




T distributor, PROFIBUS DP (12 Mbps), 5-position, shielded, Socket straight M12, coding: B, on Plug straight M12, coding: B and Plug straight M12, coding: B

### Your advantages

- Safe use in the field, thanks to a high degree of protection
- Reliable signal transmission - 360° shielding in environments with electromagnetic interference



### Key Commercial Data

Packing unit	1 pc
GTIN	 4 055626 376745
GTIN	4055626376745

### Technical data

#### Dimensions

Length	66.5 mm
--------	---------

#### Ambient conditions

Ambient temperature (operation)	-25 °C ... 85 °C (Plug / socket)
	-25 °C ... 85 °C (Plug / socket)
Degree of protection	IP65

#### General

Rated current at 40°C	1 A (Contact 2 and 4)
	4 A (Contact 1 and 3)
Rated voltage	48 V AC
	60 V DC
Number of positions	5
Color handle area	black
Coding	B-coded

## T distributor - SAC-5PT-FB/2XMB PBDP SH - 1424711

### Technical data

#### General

Standards/regulations	M12 connector IEC 61076-2-101
Signal type/category	PROFIBUS DP, 12 Mbps
Status display	No
Overvoltage category	II
Degree of pollution	3
Insertion/withdrawal cycles	≥ 100
Torque	0.4 Nm (M12 connector)
	0.6 Nm ()

#### Material

Flammability rating according to UL 94	V0
Contact material	CuZn (pin) / CuSn (socket)
Contact surface material	Ni/Au
Contact carrier material	PBT
Material of grip body	PBT
Material, knurls	Zinc die-cast, nickel-plated
Sealing material	NBR

#### Standards and Regulations

Standards/specifications	M12 connector IEC 61076-2-101
Flammability rating according to UL 94	V0

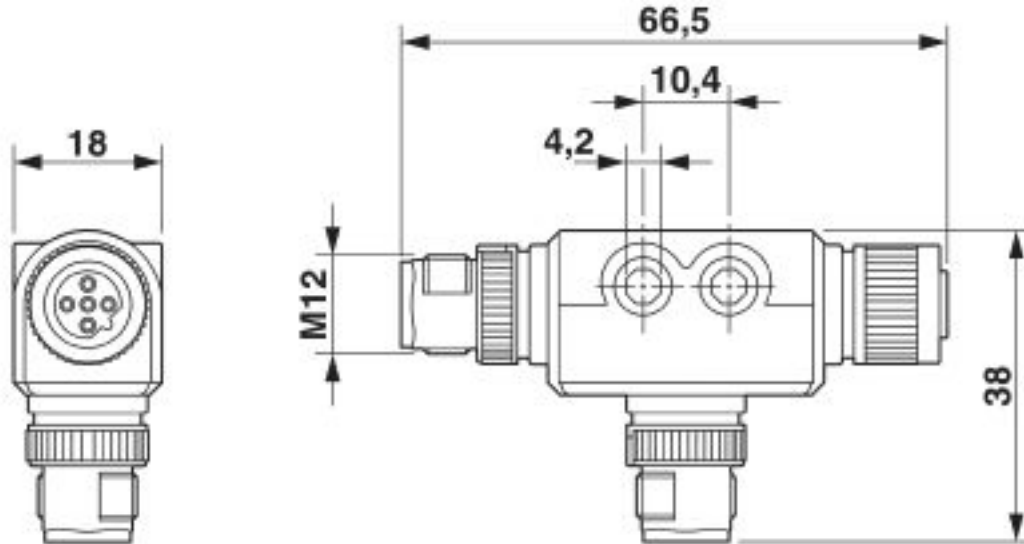
#### Environmental Product Compliance

China RoHS	Environmentally Friendly Use Period = 50 years
	For details about hazardous substances go to tab "Downloads", Category "Manufacturer's declaration"

### Drawings

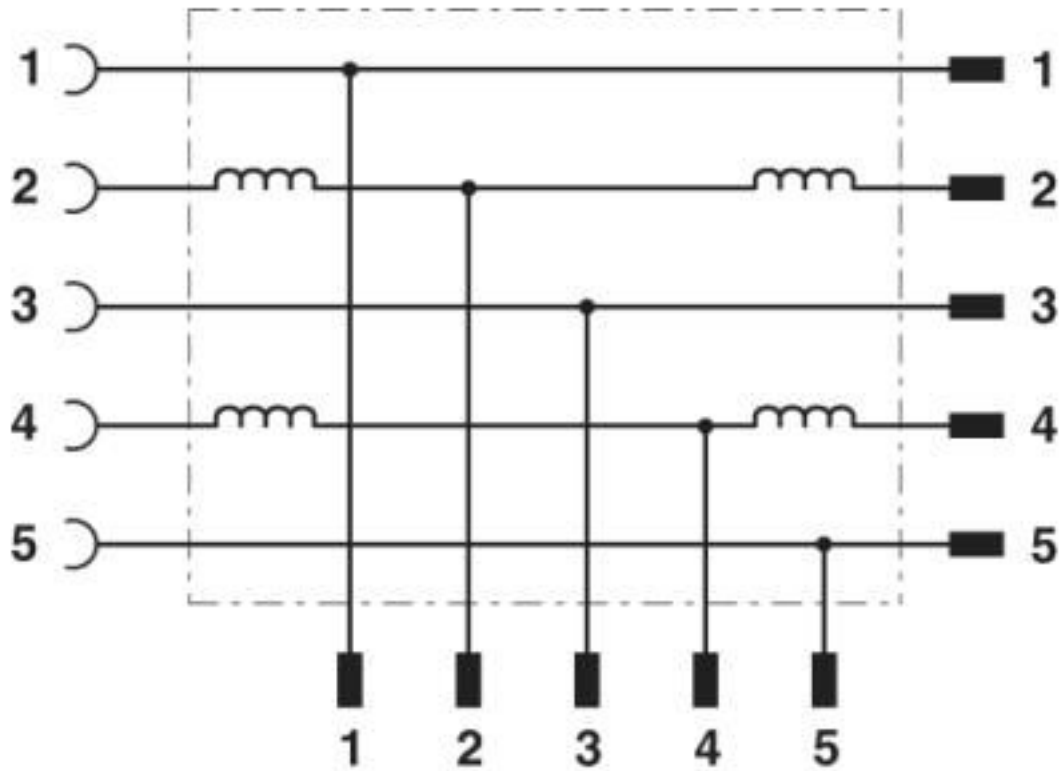
# T distributor - SAC-5PT-FB/2XMB PBDP SH - 1424711

Dimensional drawing



M12 T distributor

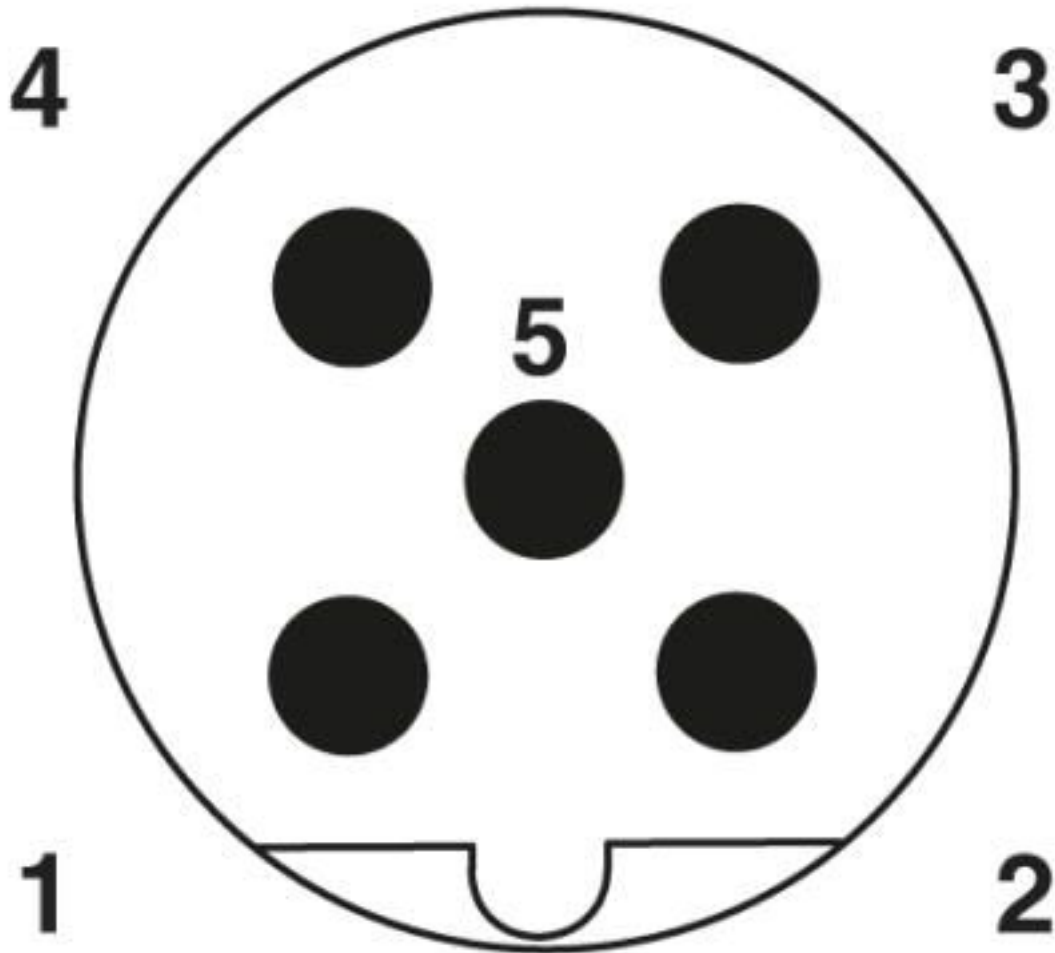
Circuit diagram



Contact assignment of the M12 plug and the M12 socket

# T distributor - SAC-5PT-FB/2XMB PBDP SH - 1424711

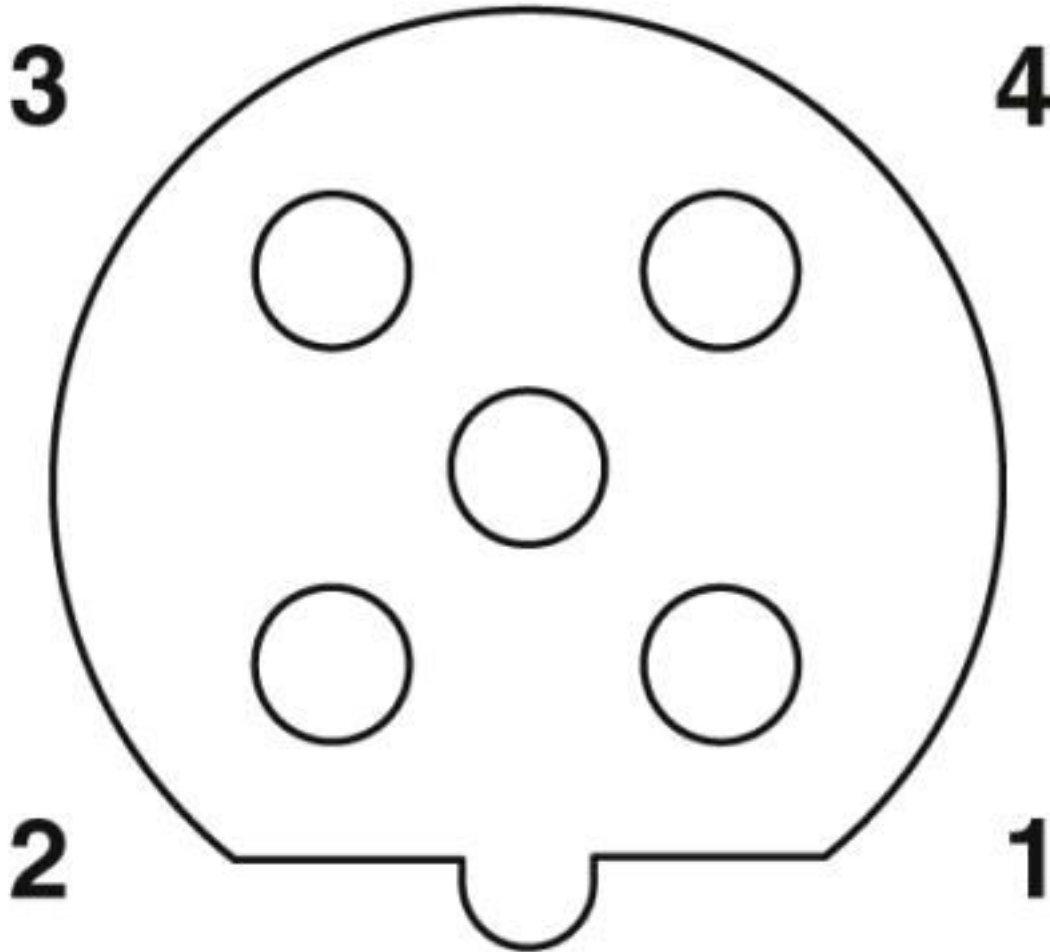
Schematic diagram



Pin assignment M12 male connector, 5-pos., B-coded, male side

# T distributor - SAC-5PT-FB/2XMB PBDP SH - 1424711

Schematic diagram



Pin assignment M12 socket, 5-pos., B-coded, female side

## Classifications

eCl@ss

eCl@ss 10.0.1	27440106
eCl@ss 11.0	27440106
eCl@ss 4.0	27279000
eCl@ss 4.1	27279000
eCl@ss 5.0	27279200
eCl@ss 5.1	27279200
eCl@ss 6.0	27279200
eCl@ss 7.0	27279201
eCl@ss 9.0	27440106

# T distributor - SAC-5PT-FB/2XMB PBDP SH - 1424711

## Classifications

### ETIM

ETIM 5.0	EC002641
ETIM 6.0	EC002925
ETIM 7.0	EC002925

## Approvals

### Approvals

Approvals

EAC / EAC

Ex Approvals

### Approval details

EAC		EAC-Zulassung
-----	--	---------------

EAC		RU C- DE.BL08.B.00511
-----	--	--------------------------

## Accessories

### Accessories

#### Plug for cable screw gland

Screw plug - PROT-M12 SH - 1503302



An M12 screw plug for the unoccupied M12 sockets of the shielded sensor/actuator cable, boxes and flush-type connectors

Screw plug - PROT-M12 - 1680539



An M12 screw plug for the unoccupied M12 sockets of the sensor/actuator cable, boxes and flush-type connectors

# T distributor - SAC-5PT-FB/2XMB PBDP SH - 1424711

## Accessories

---

Screw plug - PROT-M12 MS-PA-CHAIN - 1430899

M12 sealing cap with fixing band, for sensor cables, for free M12 sockets



## Protective cap

Sealing cap - PROT-M12 FS - 1560251



M12 sealing cap for unoccupied M12 plugs of the sensor/actuator cable, flush-type plugs and I/O devices in the field

Sealing cap - PROT-M12 FS-PA-CHAIN - 1430873

M12 sealing cap made of plastic with fixing band, for sensor cables, for free M12 plugs



## Screwdriver tools

Tool - SAC BIT M12-D15 - 1208432



Nut for assembling sensor/actuator cables with M12 connector and M12 connectors for assembly, with a knurl diameter of 15 mm, for 4 mm hexagonal drive

## Torque tool

Torque screwdriver - TSD 04 SAC - 1208429



Torque screwdriver, with preset torque of 0.4 Nm and 4 mm hexagonal drive for M12 connectors

---

Phoenix Contact 2020 © - all rights reserved  
<http://www.phoenixcontact.com>

PHOENIX CONTACT GmbH & Co. KG  
Flachsmarktstr. 8  
32825 Blomberg  
Germany  
Tel. +49 5235 300  
Fax +49 5235 3 41200  
<http://www.phoenixcontact.com>