


# D-SUB protective cover - VS-15-SD - 1887099

Please be informed that the data shown in this PDF Document is generated from our Online Catalog. Please find the complete data in the user's documentation. Our General Terms of Use for Downloads are valid (<http://phoenixcontact.com/download>)

D-SUB protective cover, shell size 2, IP54 degree of protection, for panel mounting frame and sleeve housing VS-15-...



## Key Commercial Data

|              |   |
|--------------|---|
| Packing unit | 5 pc  |
| GTIN         | <br>4 017918 817473 |
| GTIN         | 4017918817473   |

## Technical data

### Mechanical characteristics

|  |         |
|--|---------|
| Locking type                           | without |
| Weight                                 | 7.87 g  |
| Flammability rating according to UL 94 | V0      |

### Ambient conditions

|                                 |                  |
|---------------------------------|------------------|
| Ambient temperature (operation) | -40 °C ... 80 °C |
|---------------------------------|------------------|

### Material data

|                  |    |
|------------------|----|
| Housing material | PA |
|------------------|----|

### Standards and Regulations

|  |    |
|--|----|
| Flammability rating according to UL 94 | V0 |
|--|----|

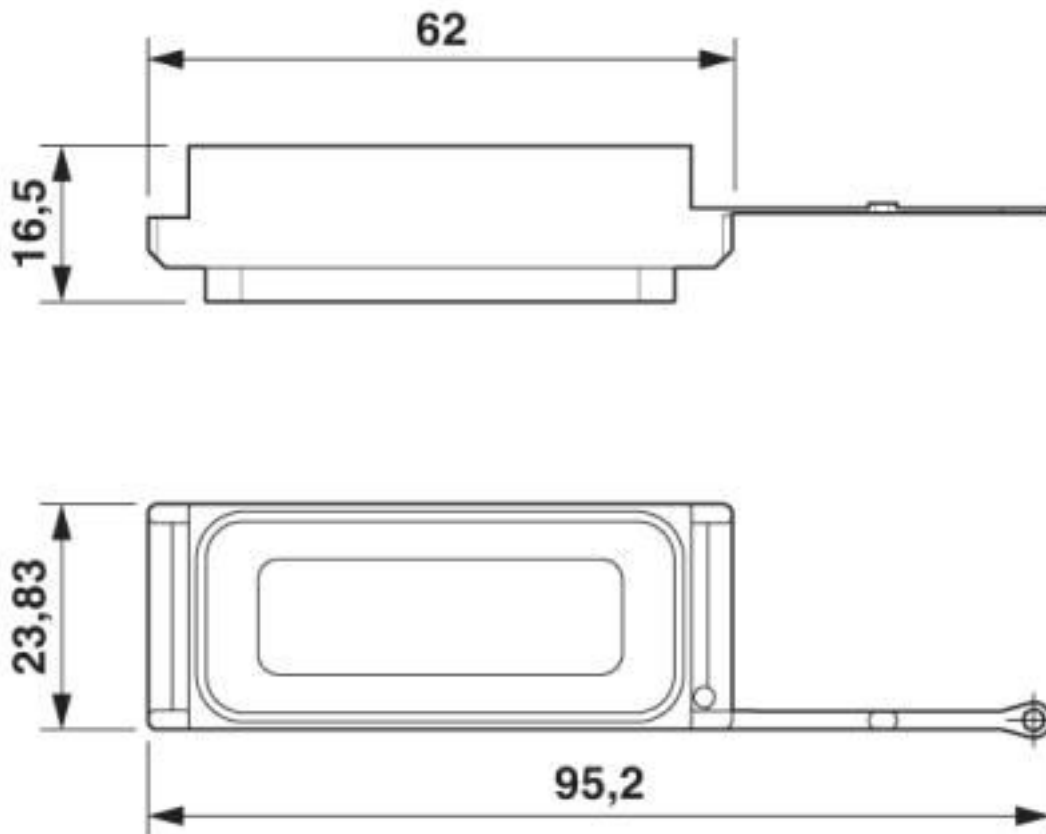
### Environmental Product Compliance

|            |   |
|------------|---|
| China RoHS | Environmentally friendly use period: unlimited = EFUP-e |
|            | No hazardous substances above threshold values          |

## Drawings

# D-SUB protective cover - VS-15-SD - 1887099

Dimensional drawing



Protective cover for D-SUB

## Classifications

eCl@ss

|               |          |
|---------------|----------|
| eCl@ss 10.0.1 | 27440208 |
| eCl@ss 11.0   | 27440208 |
| eCl@ss 4.0    | 27141200 |
| eCl@ss 4.1    | 27141200 |
| eCl@ss 5.0    | 27149100 |
| eCl@ss 5.1    | 27149100 |
| eCl@ss 6.0    | 27261200 |
| eCl@ss 7.0    | 27440208 |
| eCl@ss 8.0    | 27440208 |
| eCl@ss 9.0    | 27440208 |

ETIM

|          |          |
|----------|----------|
| ETIM 2.0 | EC000241 |
| ETIM 3.0 | EC002040 |
| ETIM 4.0 | EC001133 |

## D-SUB protective cover - VS-15-SD - 1887099

### Classifications

#### ETIM

|          |          |
|----------|----------|
| ETIM 5.0 | EC002314 |
| ETIM 6.0 | EC002314 |
| ETIM 7.0 | EC002314 |

#### UNSPSC

|               |          |
|---------------|----------|
| UNSPSC 6.01   | 31261501 |
| UNSPSC 7.0901 | 31261501 |
| UNSPSC 11     | 31261501 |
| UNSPSC 12.01  | 31261501 |
| UNSPSC 13.2   | 39121421 |
| UNSPSC 18.0   | 39121421 |
| UNSPSC 19.0   | 39121421 |
| UNSPSC 20.0   | 39121421 |
| UNSPSC 21.0   | 39121421 |

Phoenix Contact 2020 © - all rights reserved  
<http://www.phoenixcontact.com>

PHOENIX CONTACT GmbH & Co. KG  
Flachsmarktstr. 8  
32825 Blomberg  
Germany  
Tel. +49 5235 300  
Fax +49 5235 3 41200  
<http://www.phoenixcontact.com>