

# Panel mounting frames - VS-PPC-F1-RJ45-MNNA-1R-PHA - 1608029


Please be informed that the data shown in this PDF Document is generated from our Online Catalog. Please find the complete data in the user's documentation. Our General Terms of Use for Downloads are valid (<http://phoenixcontact.com/download>)



RJ45 panel mounting frame, IP67, for push-pull interlocking, metal, for PCB connection, for square panel cutout, with grommet, without mounting screws



## Key Commercial Data

Packing unit	1 pc
GTIN	 4 046356 131698
GTIN	4046356131698

## Technical data

### Mechanical characteristics

Connection method	Push-Pull
Degree of pollution	2
Locking type	Push Pull
Weight	16.8 g
Flammability rating according to UL 94	V0

### Ambient conditions

Ambient temperature (operation)	-40 °C ... 70 °C
---------------------------------	------------------

### Material data

Seal material	NBR
Housing material	Zinc die-cast
Housing surface material	Nickel-plated
Seal material	NBR
Width	22.2 mm
Height	42 mm
Length	18.8 mm
Housing surface material 1	Cu/Ni

# Panel mounting frames - VS-PPC-F1-RJ45-MNNA-1R-PHA - 1608029

## Technical data

### Electrical characteristics

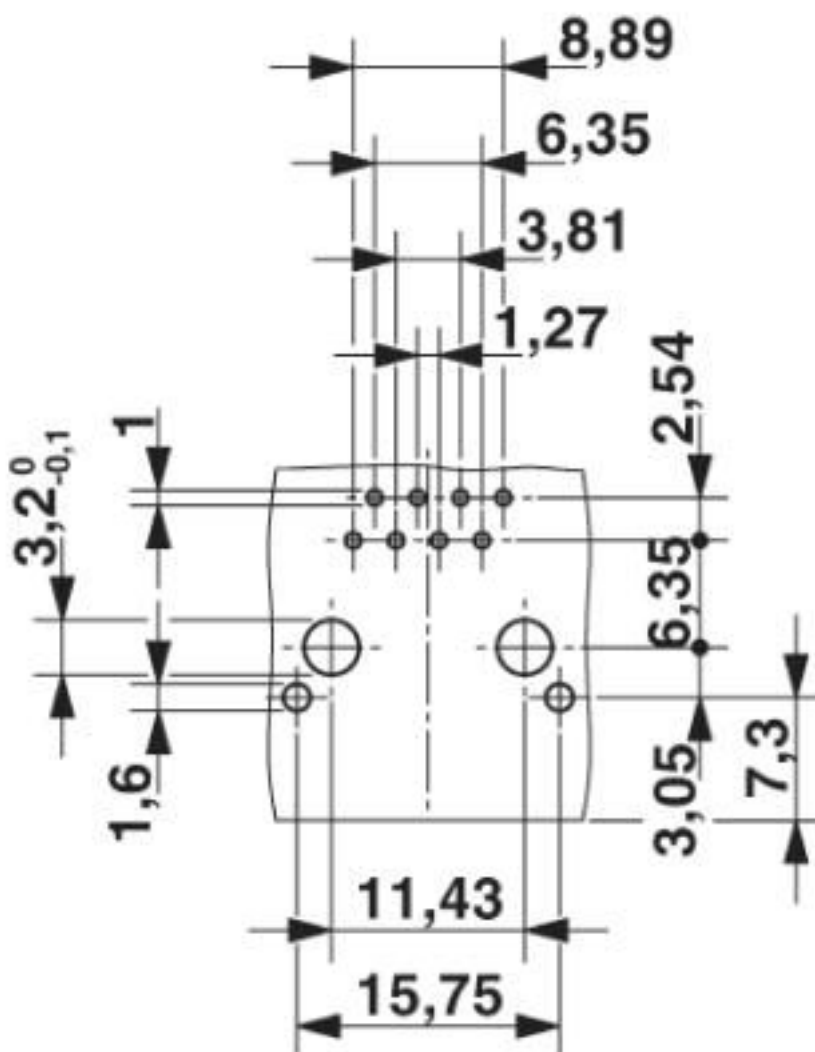
Degree of pollution	2
---------------------	---

### Standards and Regulations

Flammability rating according to UL 94	V0
--	----

## Drawings

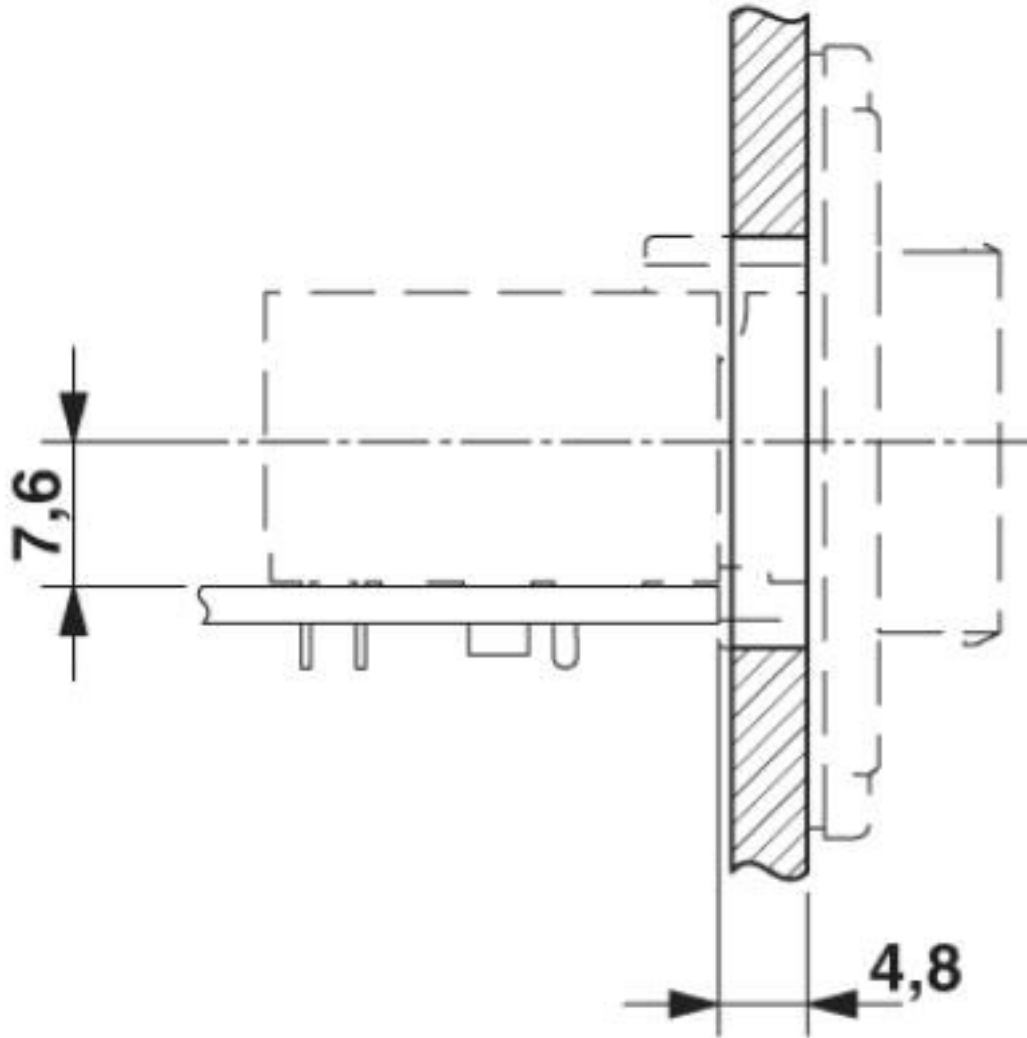
Drilling diagram



Drilling diagram

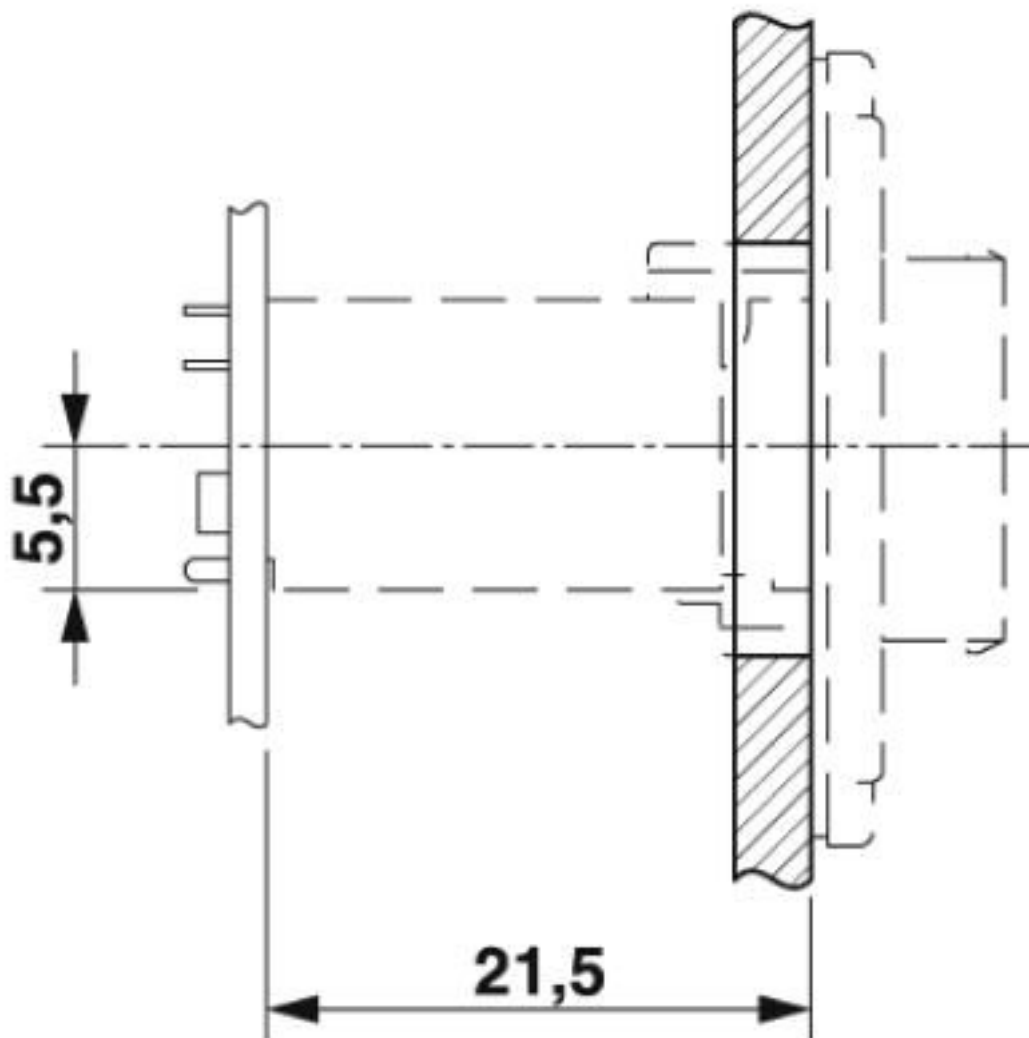
# Panel mounting frames - VS-PPC-F1-RJ45-MNNA-1R-PHA - 1608029

Dimensional drawing



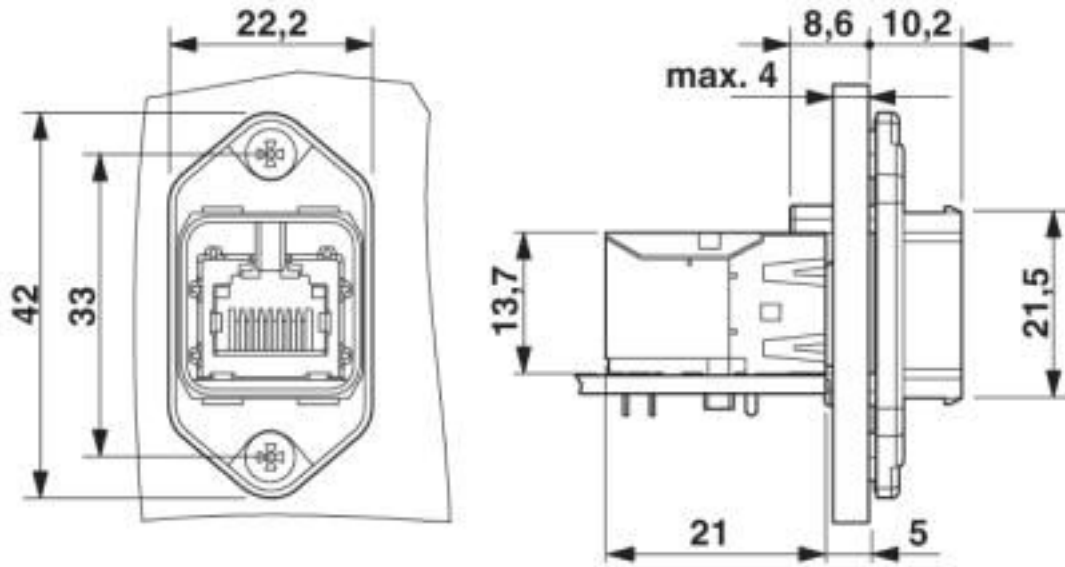
# Panel mounting frames - VS-PPC-F1-RJ45-MNNA-1R-PHA - 1608029

Dimensional drawing



# Panel mounting frames - VS-PPC-F1-RJ45-MNNA-1R-PHA - 1608029

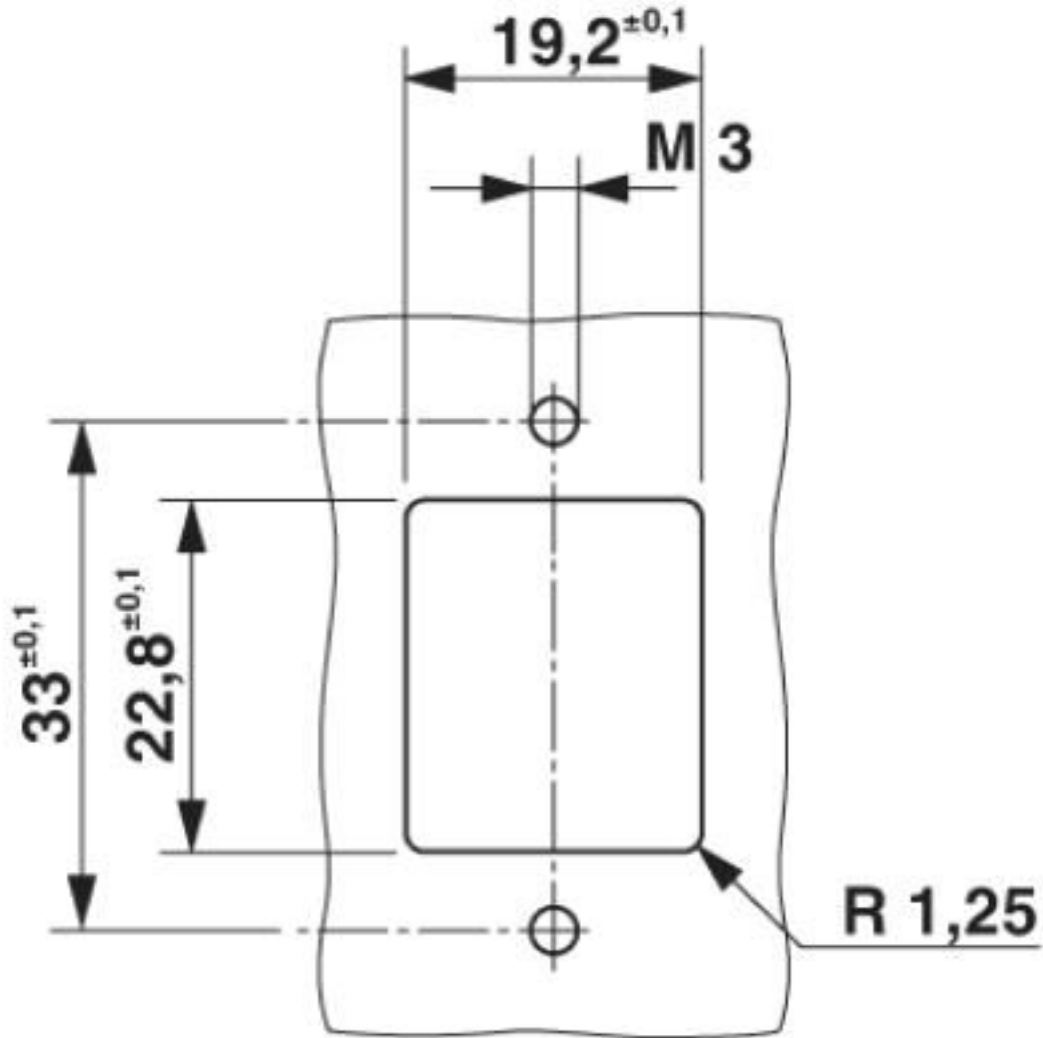
Dimensional drawing



Push-Pull panel mounting frame RJ45

# Panel mounting frames - VS-PPC-F1-RJ45-MNNA-1R-PHA - 1608029

Dimensional drawing



Mounting cutout

## Classifications

eCl@ss

eCl@ss 10.0.1	27440210
eCl@ss 11.0	27440210
eCl@ss 4.0	27260700
eCl@ss 4.1	27260700
eCl@ss 5.0	27260700
eCl@ss 5.1	27260700
eCl@ss 6.0	27261200
eCl@ss 7.0	27440210

# Panel mounting frames - VS-PPC-F1-RJ45-MNNA-1R-PHA - 1608029

## Classifications

### eCl@ss

eCl@ss 8.0	27440210
eCl@ss 9.0	27440210

### ETIM

ETIM 3.0	EC001121
ETIM 4.0	EC001121
ETIM 5.0	EC002310
ETIM 6.0	EC002310
ETIM 7.0	EC002310

### UNSPSC

UNSPSC 6.01	31261501
UNSPSC 7.0901	31261501
UNSPSC 11	31261501
UNSPSC 12.01	31261501
UNSPSC 13.2	39121421
UNSPSC 18.0	39121421
UNSPSC 19.0	39121421
UNSPSC 20.0	39121421
UNSPSC 21.0	39121421

## Approvals

### Approvals

---

### Approvals


EAC

---

### Ex Approvals

---

### Approval details

EAC		B.01742
-----	---	---------

## Accessories

### Accessories

Female insert

## Panel mounting frames - VS-PPC-F1-RJ45-MNNA-1R-PHA - 1608029

### Accessories

RJ45 PCB connectors - VS-08-BU-RJ45-6/LH-1 - 1653087



RJ45 PCB connectors, type: RJ45, degree of protection: IP20, number of positions: 8, 1 Gbps, CAT5 (IEC 11801:2002), connection method: Wave soldering contacts

---

RJ45 PCB connectors - VS-08-BU-RJ45-6/LV-1 - 1653090



RJ45 socket insert, for PCB assembly, CAT6, 8-pos., shielded, with straight solder pins, 1x

---

---

Phoenix Contact 2020 © - all rights reserved  
<http://www.phoenixcontact.com>

PHOENIX CONTACT GmbH & Co. KG  
Flachsmarktstr. 8  
32825 Blomberg  
Germany  
Tel. +49 5235 300  
Fax +49 5235 3 41200  
<http://www.phoenixcontact.com>