

Electronic housing - ECS-B-122X169-L-UV1-V - 2230000

Please be informed that the data shown in this PDF Document is generated from our Online Catalog. Please find the complete data in the user's documentation. Our General Terms of Use for Downloads are valid (<http://phoenixcontact.com/download>)

Snap-in locking vented enclosure of the ECS Family. IP66/67/69 rated when mated with associated faceplate. Color: Black (9005), Width: 170 mm, Height: 176 mm, Depth: 64 mm




Your advantages

- ✓ Suitable for outdoor/indoor applications
- ✓ IP66/IP67 rated with faceplate secured to the base
- ✓ Housing design supports the installation of a range of PCB thicknesses for high application diversity
- ✓ Housing design supports the installation of a range of PCB thicknesses for high application diversity
- ✓ Integrated pressure compensation membrane for fluctuating ambient pressures
- ✓ Optional accessories for wall and mast mounting
- ✓ Proven PCB connection technology
- ✓ Integrated tamper protection
- ✓ Effective protection of electronics against thermal and mechanical influences



Key Commercial Data

Packing unit	5 pc
Minimum order quantity	5 pc
GTIN	 4 055626 381336
GTIN	4055626381336

Technical data

Item properties

Type	ECS-B-122X169-L-UV1-V
Order No.	2230000
Housing type	outdoor housings
Type	Snap-in locking
Max. NEMA code to attain	6
Impact strength	IK08

Electronic housing - ECS-B-122X169-L-UV1-V - 2230000

Technical data

Item properties

Mounting type	Wall or panel mount. Pole mount with accessory.
Ventilation	integrated pressure compensation membrane
Type of locking	Snap-in locking

Measurements

Width [w]	170 mm
Height [h]	176 mm
Depth [d]	64 mm

Material specifications

Color (RAL)	black (9005)
Flammability rating according to UL 94	V0
Housing material	PC (polycarbonate)

Ambient conditions

Ambient temperature (storage/transport)	-40 °C ... 100 °C
Ambient temperature (operation)	-40 °C ... 100 °C

PCB data

Number of PCB holders	1
PCB thickness	1.57 mm ... 2.36 mm

Power dissipation, single housing at 20°C

Ambient temperature	20 °C
Reduction factor	1
Mounting position	vertical
Power dissipation	19 W

Hammer test

Specification	DIN EN 50155 (VDE 0115-200):2008-03
Impact energy	5 J
Number of drop cycles	5

Vibration test

Specification	IEC 60068-2-6:2007-12
Frequency	10 - 2000 - 10 Hz
Sweep speed	1 octave/min
Acceleration	150 m/s ²
Test duration per axis	150 min.
Test directions	X-, Y- and Z-axis

Shock

Pulse shape	Semi-sinusoidal
Acceleration	50g
Shock duration	11 ms

Electronic housing - ECS-B-122X169-L-UV1-V - 2230000

Technical data

Shock

Number of shocks per direction	3
Test directions	X-, Y- and Z-axis (pos. and neg.)

Test for assessing the risk of fire (glow wire)

Specification	DIN EN 60695-2-11 (VDE 0471-2-11):2014-11
Temperature	850 °C
Time of exposure	30 s

Salt mist

Specification	DIN EN 60068-2-11:2000-02
Test duration	96 h

Degrees of protection provided by enclosures (IP code)

Specification	IEC 60529:1989-11 + AMD 1:1999-11 + AMD 2:2013-08
Result, degree of protection, IP code	IP66 / IP68 (2 m / 24 h)

Packaging information

Pieces per package	5
Denomination packing units	Pcs.

Standards and regulations

Flammability rating according to UL 94	V0
----------------------------------------	----

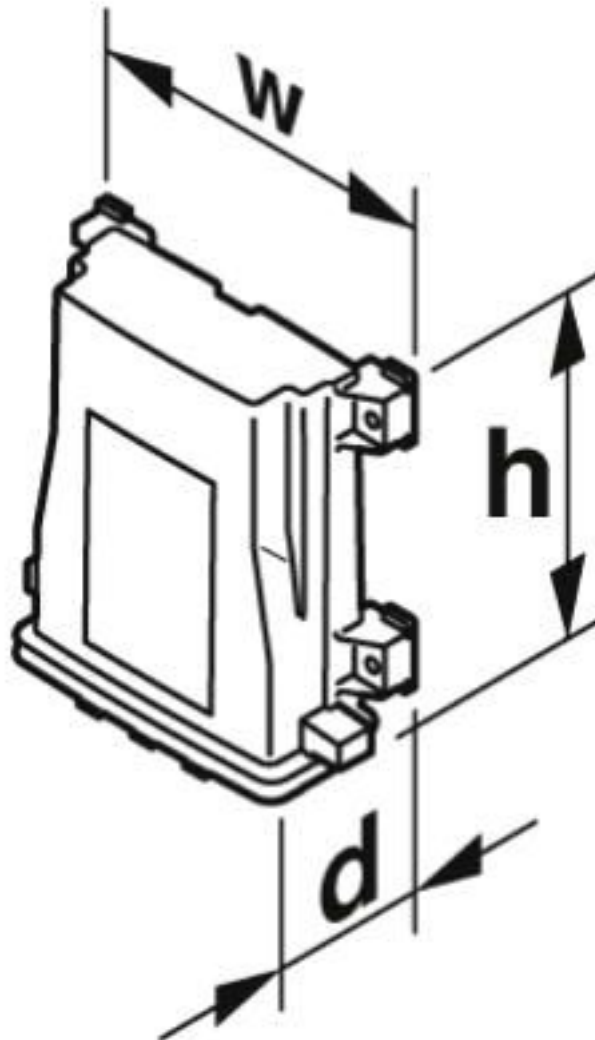
Environmental Product Compliance

China RoHS	Environmentally friendly use period: unlimited = EFUP-e
	No hazardous substances above threshold values

Drawings

Electronic housing - ECS-B-122X169-L-UV1-V - 2230000

Dimensional drawing



Classifications

eCl@ss

eCl@ss 10.0.1	27182702
eCl@ss 11.0	27182702
eCl@ss 4.0	27180401
eCl@ss 4.1	27180401
eCl@ss 5.0	27180505
eCl@ss 5.1	27180505
eCl@ss 6.0	27180800
eCl@ss 7.0	27182702
eCl@ss 8.0	27182702
eCl@ss 9.0	27182702

Electronic housing - ECS-B-122X169-L-UV1-V - 2230000

Classifications

ETIM

ETIM 3.0	EC001031
ETIM 4.0	EC001031
ETIM 5.0	EC000058
ETIM 6.0	EC001031
ETIM 7.0	EC001031

UNSPSC

UNSPSC 6.01	31261501
UNSPSC 7.0901	31261501
UNSPSC 11	31261501
UNSPSC 12.01	31261501
UNSPSC 13.2	31261501
UNSPSC 18.0	31261501
UNSPSC 19.0	31261501
UNSPSC 20.0	31261501
UNSPSC 21.0	31261501

Accessories

Accessories

Screwdriver tools

Screwdriver - SF-TXH 20X100 - 1200151



Screwdriver, Torx® with bore hole, TX 20 x 100, two-component handle

Additional products

Front plate - ECS-P-122X169-L-UV1-B - 2230004



Snap-in locking blank faceplate of the ECS Family. IP66/67/69 rated when mated with associated enclosure. Color: Black (9005), Width: 196 mm, Height: 34 mm, Depth: 62 mm

Electronic housing - ECS-B-122X169-L-UV1-V - 2230000

Accessories

Front plate - ECS-P-122X169-L-UV1-1M12 - 2230005

Snap-in locking one female M12 faceplate of the ECS Family. IP66/67/69 rated when mated with associated enclosure. Color: Black (9005), Width: 196 mm, Height: 34 mm, Depth: 62



Front plate - ECS-P-122X169-L-UV1-2M12 - 2230006

Snap-in locking two female M12 faceplate of the ECS Family. IP66/67/69 rated when mated with associated enclosure. Color: Black (9005), Width: 196 mm, Height: 34 mm, Depth: 62 mm



Front plate - ECS-P-122X169-L-UV1-CG - 2230007

Snap-in locking cable gland faceplate of the ECS Family. IP66/67/69 rated when mated with associated enclosure. Color: Black (9005), Width: 196 mm, Height: 34 mm, Depth: 62 mm



Safety clip - ECS-BL - 2230012

Clip to prevent PCB from dropping from base when faceplate is removed.



Mounting brackets - ECS-PM - 2230013

Mounting set for mast mounting



Phoenix Contact 2020 © - all rights reserved
<http://www.phoenixcontact.com>

PHOENIX CONTACT GmbH & Co. KG
Flachsmarktstr. 8
32825 Blomberg
Germany
Tel. +49 5235 300
Fax +49 5235 3 41200
<http://www.phoenixcontact.com>