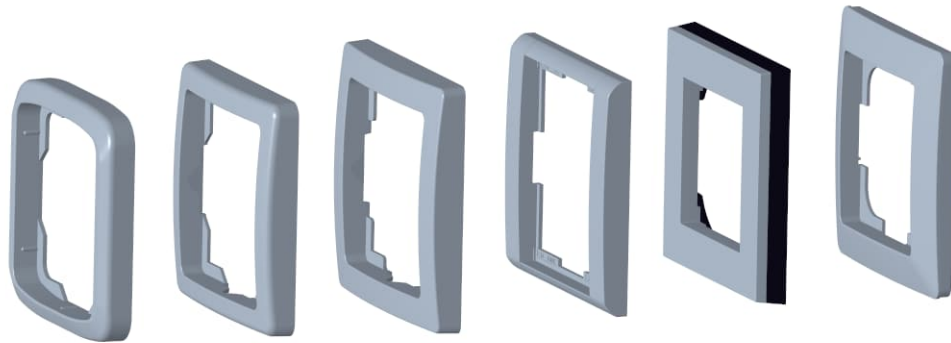


DESIGN FRAMES 3901 FAMILY

PEP ecopassport®

Product Environmental Profile



Registration number:	ABBG-00678-V01.01-EN	Drafting rules:	PCR-ed4-EN-2021 09 06
Contact information:	Pavel Mony - pavel.mony@cz.abb.com	Supplemented by:	PSR-0005-ed3-EN-2023 06 06
Verifier accreditation number:	VH08	Information and reference documents:	www.pep-ecopassport.org
Date of issue:	July-24	Validity period:	5 years
Independent verification of the declaration and data in compliance with ISO 14025: 2006			
Internal:	<input type="checkbox"/>	External:	<input checked="" type="checkbox"/>
The PCR review was conducted by a panel of experts chaired by Julie Orgelet (Ddmain)			
PEPs are compliant with XP C08-100-1:2016 and EN 50693:2019 or NF E38-500 :2022 The components of the present PEP may not be compared with components from any other program.			
Document complies with ISO 14025:2006 "Environmental labels and declarations. Type III environmental declarations"			



ABB Purpose & Embedding Sustainability

ABB is committed to continually promoting and embedding sustainability across its operations and value chain, aspiring to become a role model for others to follow. With its ABB Purpose, ABB is focusing on reducing harmful emissions, preserving natural resources and championing ethical and humane behavior. The content of this PEP cannot be compared with the content based on another program/database.

Scan QR code for more information

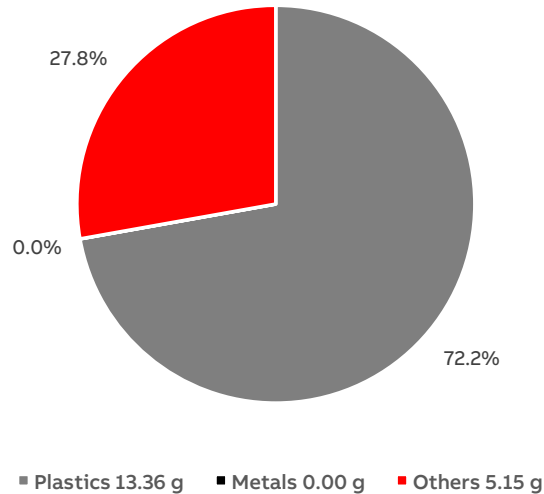


General information

Reference product	3901A-B10 B 1-gang frame of TANGO range The content of this PEP cannot be compare with content from another program.
Description of the product	Design frames 3901 family is composed of numerous colour frames from several ranges: Tango, Levit, Zoni, Time, Element, Swing and Swing L. These frames are used to cover installation holes and finish design appearances with a IP40 degree of protection. Design frames family products are installed into a flush-mounted wallbox.
Functional unit	Frame for protecting C-plates with IP40 safety system an a reference lifetime of 20 years. Dimensions: 81 x 81 x 11.5 mm.
Other products covered	List of other products covered or references are included from page 8 to page 15
Manufacturing address	ABB sro Elektro-Praga (Vyskočilova 1561/4A Praha 4 - Michle, 140 00 Czech) www.new.abb.com



Constituent Materials



Total weight of reference product and packaging

18.5

g

Plastics as % of weight		Metals as % of weight		Others as % of weight	
Name and CAS number	Weight%	Name and CAS number	Weight%	Name and CAS number	Weight%
Polycarbonate (PC)	72.2			Cardboard packaging	19.7
	x			Polyethylene packaging	8.1

The reference product and other products in this range are in conformity with the provisions of Low Voltage Directive 2014/35/EU, RoHS directive 2011/65/EU, covering 2015/863(EU), REACH regulation No 1907/2006, and national legislation. Plastics used for the reference product are halogen-free materials (IEC/61249-2-21) and they are also recyclable.



Additional Information

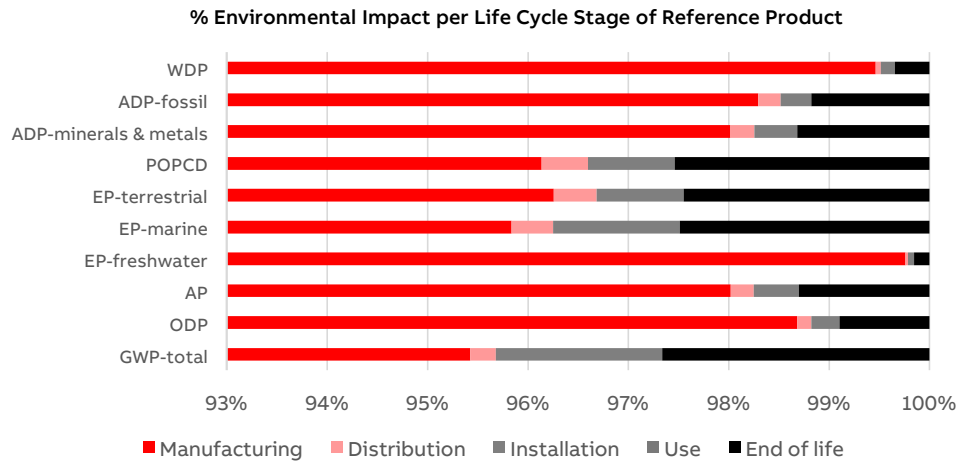
Manufacturing	<p>Includes the environmental impacts associated with the extraction and processing of the raw materials making up the product and its packaging, as well as their transport to the manufacturing site.</p> <p>Additionally, its includes the electricity consumption required for the product assembly and the wastes generated during the manufacturing process.</p>
Distribution	<p>Includes the transportation in its packaging from the manufacturer's last logistics platform to the customer.</p>
Installation	<p>Installation stage includes the manual installation of the products by the customer (no energy consumption is required during installation) and the disposal of the packaging.</p>
Use	<p>Includes the energy consumption due to electrical losses during the RLT in the customer's locations. Due to the nature of the product, no energy is consumed during the RLT.</p>
End of life	<p>Includes the transportation of the product from the installation site to the final end of life treatment site, as well as the end of life treatment processes. A value of 1,000 km transport by lorry is used for the transportation.</p>
Benefits and loads beyond the system boundaries	<p>Potential for reuse, recovery and/or recycling, expressed as net benefits and impacts</p>



Environmental Impacts

Reference lifetime	20 years
Product category	Other equipments
Installation elements	Manual installation by the customer.
Use scenario	Non-applicable.
Geographical representativeness	Global.
Technological representativeness	Materials and processes data are representative of the production of 3901A-B10 B and other products of its homogeneous environmental Design Frames 3901 family.
Software and database used	SimaPro 9.5.0.1 & Ecoinvent 3.9
Energy model used	
Manufacturing	Electricity mix of Czech Republic.
Installation	No energy required.
Use	Non-applicable.
End of life	Recycling of product

Common base of mandatory indicators



Environmental impact indicators

Indicator	Unit	Total	Manufacturing	Distribution	Installation	Use	End of life	Benefits	
GWP	Total	kg CO2 eq.	2.04E-01	1.94E-01	5.19E-04	3.37E-03	0.00E+00	5.42E-03	-5.94E-02
	Fossil	kg CO2 eq.	1.93E-01	1.85E-01	5.18E-04	2.14E-03	0.00E+00	5.42E-03	-5.99E-02
	Biogenic	kg CO2 eq.	1.02E-02	9.00E-03	4.69E-07	1.24E-03	0.00E+00	2.23E-06	5.85E-04
	Luluc	kg CO2 eq.	2.48E-04	2.46E-04	2.52E-07	4.32E-07	0.00E+00	1.43E-06	-9.66E-05
ODP		kg CFC-11 eq.	8.05E-09	7.94E-09	1.13E-11	2.25E-11	0.00E+00	7.22E-11	-5.17E-09
AP		H+ eq.	7.33E-04	7.18E-04	1.69E-06	3.28E-06	0.00E+00	9.55E-06	-2.63E-04
EP	Freshwater	kg P eq.	1.69E-05	1.68E-05	4.15E-09	1.06E-08	0.00E+00	2.58E-08	-2.17E-06
	Marine	kg N eq.	1.38E-04	1.33E-04	5.75E-07	1.74E-06	0.00E+00	3.44E-06	-5.13E-05
	Terrestrial	mol N eq.	1.43E-03	1.38E-03	6.14E-06	1.24E-05	0.00E+00	3.51E-05	-5.16E-04
POPCD		kg NMVOC eq.	5.49E-04	5.28E-04	2.53E-06	4.75E-06	0.00E+00	1.39E-05	-2.39E-04
ADP	Minerals & metals	kg SB eq.	6.97E-07	6.83E-07	1.66E-09	2.99E-09	0.00E+00	9.19E-09	-4.56E-07
	Fossil	MJ	3.29E+00	3.24E+00	7.35E-03	1.00E-02	0.00E+00	3.88E-02	-1.29E+00
WDP		m³ eq. depr.	5.86E-02	5.83E-02	3.00E-05	8.13E-05	0.00E+00	2.02E-04	-3.34E-02

Resource use indicators

Indicator	Unit	Total	Manufacturing	Distribution	Installation	Use	End of life	Benefits
PERE	MJ	1.67E-01	1.66E-01	1.14E-04	3.24E-04	0.00E+00	7.32E-04	-7.98E-02
PERM	MJ	5.04E-02	5.04E-02	0.00E+00	0.00E+00	0.00E+00	0.00E+00	0.00E+00
PERT	MJ	2.17E-01	2.16E-01	1.14E-04	3.24E-04	0.00E+00	7.32E-04	-7.98E-02
PENRE	MJ	2.83E+00	2.78E+00	7.35E-03	1.00E-02	0.00E+00	3.88E-02	-1.29E+00
PENRM	MJ	4.58E-01	4.58E-01	0.00E+00	0.00E+00	0.00E+00	0.00E+00	0.00E+00
PENRT	MJ	3.29E+00	3.24E+00	7.35E-03	1.00E-02	0.00E+00	3.88E-02	-1.29E+00

Common base of mandatory indicators

Use of secondary materials, water, and energy resources

Indicator	Unit	Total	Manufacturing	Distribution	Installation	Use	End of life	Benefits
SM	kg	0.00E+00	0.00E+00	0.00E+00	0.00E+00	0.00E+00	0.00E+00	0.00E+00
RSF	MJ	0.00E+00	0.00E+00	0.00E+00	0.00E+00	0.00E+00	0.00E+00	0.00E+00
NRSF	MJ	0.00E+00	0.00E+00	0.00E+00	0.00E+00	0.00E+00	0.00E+00	0.00E+00
FW	m ³	1.84E-03	1.83E-03	1.05E-06	3.19E-06	0.00E+00	7.51E-06	-8.77E-04

Waste category indicators

Indicator	Unit	Total	Manufacturing	Distribution	Installation	Use	End of life	Benefits
HWD	kg	4.40E-06	4.06E-06	4.68E-08	5.64E-08	0.00E+00	2.39E-07	-1.91E-06
N-HWD	kg	2.38E-02	1.90E-02	3.59E-04	1.13E-03	0.00E+00	3.27E-03	-5.77E-03
RWD	kg	1.02E-05	1.02E-05	2.39E-09	6.77E-09	0.00E+00	1.49E-08	-1.40E-06

Output flow indicators

Indicator	Unit	Total	Manufacturing	Distribution	Installation	Use	End of life	Benefits
CfRu	kg	0.00E+00	0.00E+00	0.00E+00	0.00E+00	0.00E+00	0.00E+00	0.00E+00
MfR	kg	1.45E-02	0.00E+00	0.00E+00	3.61E-03	0.00E+00	1.09E-02	0.00E+00
MfER	kg	1.30E-02	1.10E-02	0.00E+00	8.82E-04	0.00E+00	1.08E-03	0.00E+00
EE	MJ	0.00E+00	0.00E+00	0.00E+00	0.00E+00	0.00E+00	0.00E+00	0.00E+00

Other indicators

Indicator	Unit	Total
Biogenic Carbon	kg of C	0.00E+00
Product Packaging	kg of C	1.83E-03

Extrapolation Factors

For other products than the Reference product covered by this PEP, the environmental impacts for each phase of the lifecycle are obtained by multiplying the values of the Reference product by the following coefficients:

* if the coefficient is !1, the impacts of the phase of the life cycle are assimilated to the Reference product, meaning that the impacts are unchanged in comparison to the Reference product

Product name	Manufacturing	Distribution	Installation	Use	End of life	Benefits
3901A-B10 B	1.00	1.00	1.00	1.00	1.00	1.00
3901A-B10 C	1.00	1.00	1.00	1.00	1.00	1.00
3901A-B10 S	1.00	1.00	1.00	1.00	1.00	1.00
3901A-B10 D	1.00	1.00	1.00	1.00	1.00	1.00
3901A-B10 H	1.00	1.00	1.00	1.00	1.00	1.00
3901A-B10 N	1.00	1.00	1.00	1.00	1.00	1.00
3901A-B10 S2	1.00	1.00	1.00	1.00	1.00	1.00
3901A-B10 R2	1.00	1.00	1.00	1.00	1.00	1.00
3901A-B20 B	1.76	1.76	1.67	1.00	1.79	1.76
3901A-B20 C	1.76	1.76	1.67	1.00	1.79	1.76
3901A-B20 S	1.76	1.76	1.67	1.00	1.79	1.76
3901A-B20 D	1.76	1.76	1.67	1.00	1.79	1.76
3901A-B20 H	1.76	1.76	1.67	1.00	1.79	1.76
3901A-B20 N	1.76	1.76	1.67	1.00	1.79	1.76
3901A-B20 S2	1.76	1.76	1.67	1.00	1.79	1.76
3901A-B20 R2	1.76	1.76	1.67	1.00	1.79	1.76
3901A-B30 B	2.71	2.71	2.76	1.00	2.69	2.71
3901A-B30 C	2.71	2.71	2.76	1.00	2.69	2.71
3901A-B30 S	2.71	2.71	2.76	1.00	2.69	2.71
3901A-B30 D	2.71	2.71	2.76	1.00	2.69	2.71
3901A-B30 H	2.71	2.71	2.76	1.00	2.69	2.71
3901A-B30 N	2.71	2.71	2.76	1.00	2.69	2.71
3901A-B30 S2	2.71	2.71	2.76	1.00	2.69	2.71
3901A-B30 R2	2.71	2.71	2.76	1.00	2.69	2.71
3901A-B40 B	3.69	3.69	3.46	1.00	3.78	3.69
3901A-B40 C	3.69	3.69	3.46	1.00	3.78	3.69
3901A-B40 S	3.69	3.69	3.46	1.00	3.78	3.69
3901A-B40 D	3.69	3.69	3.46	1.00	3.78	3.69
3901A-B40 H	3.69	3.69	3.46	1.00	3.78	3.69
3901A-B40 N	3.69	3.69	3.46	1.00	3.78	3.69
3901A-B40 S2	3.69	3.69	3.46	1.00	3.78	3.69
3901A-B40 R2	3.69	3.69	3.46	1.00	3.78	3.69
3901A-B50 B	4.36	4.36	3.65	1.00	4.63	4.36
3901A-B50 C	4.36	4.36	3.65	1.00	4.63	4.36
3901A-B50 S	4.36	4.36	3.65	1.00	4.63	4.36
3901A-B50 D	4.36	4.36	3.65	1.00	4.63	4.36
3901A-B50 H	4.36	4.36	3.65	1.00	4.63	4.36

Extrapolation Factors

Product name	Manufacturing	Distribution	Installation	Use	End of life	Benefits
3901A-B50 N	4.36	4.36	3.65	1.00	4.63	4.36
3901A-B50 S2	4.36	4.36	3.65	1.00	4.63	4.36
3901A-B50 R2	4.36	4.36	3.65	1.00	4.63	4.36
3901A-B21 B	1.77	1.77	1.67	1.00	1.81	1.77
3901A-B21 C	1.77	1.77	1.67	1.00	1.81	1.77
3901A-B21 S	1.77	1.77	1.67	1.00	1.81	1.77
3901A-B21 D	1.77	1.77	1.67	1.00	1.81	1.77
3901A-B21 H	1.77	1.77	1.67	1.00	1.81	1.77
3901A-B21 N	1.77	1.77	1.67	1.00	1.81	1.77
3901A-B21 S2	1.77	1.77	1.67	1.00	1.81	1.77
3901A-B21 R2	1.77	1.77	1.67	1.00	1.81	1.77
3901A-B31 B	2.88	2.88	2.76	1.00	2.93	2.88
3901A-B31 C	2.88	2.88	2.76	1.00	2.93	2.88
3901A-B31 S	2.88	2.88	2.76	1.00	2.93	2.88
3901A-B31 D	2.88	2.88	2.76	1.00	2.93	2.88
3901A-B31 H	2.88	2.88	2.76	1.00	2.93	2.88
3901A-B31 N	2.88	2.88	2.76	1.00	2.93	2.88
3901A-B31 S2	2.88	2.88	2.76	1.00	2.93	2.88
3901A-B31 R2	2.88	2.88	2.76	1.00	2.93	2.88
3901A-B41 B	3.79	3.79	3.46	1.00	3.92	3.79
3901A-B41 C	3.79	3.79	3.46	1.00	3.92	3.79
3901A-B41 S	3.79	3.79	3.46	1.00	3.92	3.79
3901A-B41 D	3.79	3.79	3.46	1.00	3.92	3.79
3901A-B41 H	3.79	3.79	3.46	1.00	3.92	3.79
3901A-B41 N	3.79	3.79	3.46	1.00	3.92	3.79
3901A-B41 S2	3.79	3.79	3.46	1.00	3.92	3.79
3901A-B41 R2	3.79	3.79	3.46	1.00	3.92	3.79
3901H-A05010 03	1.83	1.83	1.07	1.00	2.12	1.83
3901H-A05010 01	1.83	1.83	1.07	1.00	2.12	1.83
3901H-A05010 16	1.83	1.83	1.07	1.00	2.12	1.83
3901H-A05010 17	1.83	1.83	1.07	1.00	2.12	1.83
3901H-A05010 18	1.83	1.83	1.07	1.00	2.12	1.83
3901H-A05010 62	1.83	1.83	1.07	1.00	2.12	1.83
3901H-A05010 64	1.83	1.83	1.07	1.00	2.12	1.83
3901H-A05010 65	1.83	1.83	1.07	1.00	2.12	1.83
3901H-A05010 66	1.83	1.83	1.07	1.00	2.12	1.83
3901H-A05010 67	1.83	1.83	1.07	1.00	2.12	1.83
3901H-A05010 63	1.83	1.83	1.07	1.00	2.12	1.83
3901H-A05010 68	1.83	1.83	1.07	1.00	2.12	1.83
3901H-A05010 69	1.83	1.83	1.07	1.00	2.12	1.83
3901H-A05010 70	1.83	1.83	1.07	1.00	2.12	1.83
3901H-A05510 03	1.83	1.83	1.00	1.00	2.15	1.83

Extrapolation Factors

Product name	Manufacturing	Distribution	Installation	Use	End of life	Benefits
3901H-A05510 01	1.83	1.83	1.00	1.00	2.15	1.83
3901H-A05510 16	1.83	1.83	1.00	1.00	2.15	1.83
3901H-A05510 17	1.83	1.83	1.00	1.00	2.15	1.83
3901H-A05510 18	1.83	1.83	1.00	1.00	2.15	1.83
3901H-A05510 62	1.83	1.83	1.00	1.00	2.15	1.83
3901H-A05510 64	1.83	1.83	1.00	1.00	2.15	1.83
3901H-A05510 65	1.83	1.83	1.00	1.00	2.15	1.83
3901H-A05510 66	1.83	1.83	1.00	1.00	2.15	1.83
3901H-A05510 67	1.83	1.83	1.00	1.00	2.15	1.83
3901H-A05510 63	1.83	1.83	1.00	1.00	2.15	1.83
3901H-A05510 68	1.83	1.83	1.00	1.00	2.15	1.83
3901H-A05510 69	1.83	1.83	1.00	1.00	2.15	1.83
3901H-A05510 70	1.83	1.83	1.00	1.00	2.15	1.83
3901H-A05020 03	4.54	4.54	1.67	1.00	5.64	4.54
3901H-A05020 01	4.54	4.54	1.67	1.00	5.64	4.54
3901H-A05020 16	4.54	4.54	1.67	1.00	5.64	4.54
3901H-A05020 17	4.54	4.54	1.67	1.00	5.64	4.54
3901H-A05020 18	4.54	4.54	1.67	1.00	5.64	4.54
3901H-A05020 62	4.54	4.54	1.67	1.00	5.64	4.54
3901H-A05020 64	4.54	4.54	1.67	1.00	5.64	4.54
3901H-A05020 65	4.54	4.54	1.67	1.00	5.64	4.54
3901H-A05020 66	4.54	4.54	1.67	1.00	5.64	4.54
3901H-A05020 67	4.54	4.54	1.67	1.00	5.64	4.54
3901H-A05020 63	4.54	4.54	1.67	1.00	5.64	4.54
3901H-A05020 68	4.54	4.54	1.67	1.00	5.64	4.54
3901H-A05020 69	4.54	4.54	1.67	1.00	5.64	4.54
3901H-A05020 70	4.54	4.54	1.67	1.00	5.64	4.54
3901H-A05520 03	4.71	4.71	1.67	1.00	5.88	4.71
3901H-A05520 01	4.71	4.71	1.67	1.00	5.88	4.71
3901H-A05520 16	4.71	4.71	1.67	1.00	5.88	4.71
3901H-A05520 17	4.71	4.71	1.67	1.00	5.88	4.71
3901H-A05520 18	4.71	4.71	1.67	1.00	5.88	4.71
3901H-A05520 62	4.71	4.71	1.67	1.00	5.88	4.71
3901H-A05520 63	4.71	4.71	1.67	1.00	5.88	4.71
3901H-A05520 68	4.71	4.71	1.67	1.00	5.88	4.71
3901H-A05520 69	4.71	4.71	1.67	1.00	5.88	4.71
3901H-A05520 70	4.71	4.71	1.67	1.00	5.88	4.71
3901H-A05030 03	5.84	5.84	2.08	1.00	7.29	5.84
3901H-A05030 01	5.84	5.84	2.08	1.00	7.29	5.84
3901H-A05030 16	5.84	5.84	2.08	1.00	7.29	5.84
3901H-A05030 17	5.84	5.84	2.08	1.00	7.29	5.84
3901H-A05030 18	5.84	5.84	2.08	1.00	7.29	5.84

Extrapolation Factors

Product name	Manufacturing	Distribution	Installation	Use	End of life	Benefits
3901H-A05030 62	5.84	5.84	2.08	1.00	7.29	5.84
3901H-A05030 64	5.84	5.84	2.08	1.00	7.29	5.84
3901H-A05030 65	5.84	5.84	2.08	1.00	7.29	5.84
3901H-A05030 66	5.84	5.84	2.08	1.00	7.29	5.84
3901H-A05030 67	5.84	5.84	2.08	1.00	7.29	5.84
3901H-A05030 63	5.84	5.84	2.08	1.00	7.29	5.84
3901H-A05030 68	5.84	5.84	2.08	1.00	7.29	5.84
3901H-A05030 69	5.84	5.84	2.08	1.00	7.29	5.84
3901H-A05030 70	5.84	5.84	2.08	1.00	7.29	5.84
3901H-A05040 03	8.90	8.90	3.46	1.00	11.00	8.90
3901H-A05040 01	8.90	8.90	3.46	1.00	11.00	8.90
3901H-A05040 16	8.90	8.90	3.46	1.00	11.00	8.90
3901H-A05040 17	8.90	8.90	3.46	1.00	11.00	8.90
3901H-A05040 18	8.90	8.90	3.46	1.00	11.00	8.90
3901H-A05040 62	8.90	8.90	3.46	1.00	11.00	8.90
3901H-A05040 64	8.90	8.90	3.46	1.00	11.00	8.90
3901H-A05040 65	8.90	8.90	3.46	1.00	11.00	8.90
3901H-A05040 66	8.90	8.90	3.46	1.00	11.00	8.90
3901H-A05040 67	8.90	8.90	3.46	1.00	11.00	8.90
3901H-A05040 63	8.90	8.90	3.46	1.00	11.00	8.90
3901H-A05040 68	8.90	8.90	3.46	1.00	11.00	8.90
3901H-A05040 69	8.90	8.90	3.46	1.00	11.00	8.90
3901H-A05040 70	8.90	8.90	3.46	1.00	11.00	8.90
3901H-A05050 03	12.68	12.68	3.65	1.00	16.16	12.68
3901H-A05050 01	12.68	12.68	3.65	1.00	16.16	12.68
3901H-A05050 16	12.68	12.68	3.65	1.00	16.16	12.68
3901H-A05050 17	12.68	12.68	3.65	1.00	16.16	12.68
3901H-A05050 18	12.68	12.68	3.65	1.00	16.16	12.68
3901H-A05050 62	12.68	12.68	3.65	1.00	16.16	12.68
3901H-A05050 64	12.68	12.68	3.65	1.00	16.16	12.68
3901H-A05050 65	12.68	12.68	3.65	1.00	16.16	12.68
3901H-A05050 66	12.68	12.68	3.65	1.00	16.16	12.68
3901H-A05050 67	12.68	12.68	3.65	1.00	16.16	12.68
3901H-A05050 63	12.68	12.68	3.65	1.00	16.16	12.68
3901H-A05050 68	12.68	12.68	3.65	1.00	16.16	12.68
3901H-A05050 69	12.68	12.68	3.65	1.00	16.16	12.68
3901H-A05050 70	12.68	12.68	3.65	1.00	16.16	12.68
2CHT010010A6500	1.30	1.30	1.15	1.00	1.36	1.30
2CHT010010A6240	1.30	1.30	1.15	1.00	1.36	1.30
2CHT010010A6141	1.30	1.30	1.15	1.00	1.36	1.30
2CHT010010A6142	1.30	1.30	1.15	1.00	1.36	1.30
2CHT010010A6143	1.30	1.30	1.15	1.00	1.36	1.30

Extrapolation Factors

Product name	Manufacturing	Distribution	Installation	Use	End of life	Benefits
2CHT010010A6144	1.30	1.30	1.15	1.00	1.36	1.30
2CHT010010A6137	1.30	1.30	1.15	1.00	1.36	1.30
2CHT010010A6237	1.28	1.28	1.15	1.00	1.34	1.28
2CHT010020A6500	2.29	2.29	2.56	1.00	2.19	2.29
2CHT010020A6240	2.29	2.29	2.56	1.00	2.19	2.29
2CHT010020A6141	2.29	2.29	2.56	1.00	2.19	2.29
2CHT010020A6142	2.29	2.29	2.56	1.00	2.19	2.29
2CHT010020A6143	2.29	2.29	2.56	1.00	2.19	2.29
2CHT010020A6144	2.29	2.29	2.56	1.00	2.19	2.29
2CHT010020A6137	2.29	2.29	2.56	1.00	2.19	2.29
2CHT010020A6237	2.32	2.32	2.56	1.00	2.23	2.32
2CHT010030A6500	3.13	3.13	3.37	1.00	3.03	3.13
2CHT010030A6240	3.13	3.13	3.37	1.00	3.03	3.13
2CHT010030A6141	3.13	3.13	3.37	1.00	3.03	3.13
2CHT010030A6142	3.13	3.13	3.37	1.00	3.03	3.13
2CHT010030A6143	3.13	3.13	3.37	1.00	3.03	3.13
2CHT010030A6144	3.13	3.13	3.37	1.00	3.03	3.13
2CHT010030A6137	3.13	3.13	3.37	1.00	3.03	3.13
2CHT010030A6237	3.16	3.16	3.37	1.00	3.08	3.16
2CHT010040A6500	3.99	3.99	3.83	1.00	4.05	3.99
2CHT010040A6240	3.99	3.99	3.83	1.00	4.05	3.99
2CHT010040A6141	3.99	3.99	3.83	1.00	4.05	3.99
2CHT010040A6142	3.99	3.99	3.83	1.00	4.05	3.99
2CHT010040A6143	3.99	3.99	3.83	1.00	4.05	3.99
2CHT010040A6144	3.99	3.99	3.83	1.00	4.05	3.99
2CHT010040A6137	3.99	3.99	3.83	1.00	4.05	3.99
2CHT010040A6237	4.03	4.03	3.83	1.00	4.11	4.03
2CHT010050A6500	4.61	4.61	3.83	1.00	4.91	4.61
2CHT010050A6240	4.61	4.61	3.83	1.00	4.91	4.61
2CHT010050A6141	4.61	4.61	3.83	1.00	4.91	4.61
2CHT010050A6142	4.61	4.61	3.83	1.00	4.91	4.61
2CHT010050A6143	4.61	4.61	3.83	1.00	4.91	4.61
2CHT010050A6144	4.61	4.61	3.83	1.00	4.91	4.61
2CHT010050A6137	4.61	4.61	3.83	1.00	4.91	4.61
2CHT010050A6237	4.66	4.66	3.83	1.00	4.98	4.66
3901F-A00110 03	0.96	0.96	1.00	1.00	0.94	0.96
3901F-A00110 01	0.96	0.96	1.00	1.00	0.94	0.96
3901F-A00110 08	0.96	0.96	1.00	1.00	0.94	0.96
3901F-A00110 32	0.96	0.96	1.00	1.00	0.94	0.96
3901F-A00110 33	0.96	0.96	1.00	1.00	0.94	0.96
3901F-A00110 34	0.96	0.96	1.00	1.00	0.94	0.96
3901F-A00110 36	0.96	0.96	1.00	1.00	0.94	0.96

Extrapolation Factors

Product name	Manufacturing	Distribution	Installation	Use	End of life	Benefits
3901F-A00120 03	4.23	4.23	1.67	1.00	5.21	4.23
3901F-A00120 01	4.23	4.23	1.67	1.00	5.21	4.23
3901F-A00120 08	4.23	4.23	1.67	1.00	5.21	4.23
3901F-A00120 32	4.23	4.23	1.67	1.00	5.21	4.23
3901F-A00120 33	4.23	4.23	1.67	1.00	5.21	4.23
3901F-A00120 34	4.23	4.23	1.67	1.00	5.21	4.23
3901F-A00120 36	4.23	4.23	1.67	1.00	5.21	4.23
3901F-A00130 03	8.26	8.26	2.08	1.00	10.64	8.26
3901F-A00130 01	8.26	8.26	2.08	1.00	10.64	8.26
3901F-A00130 08	8.26	8.26	2.08	1.00	10.64	8.26
3901F-A00130 32	8.26	8.26	2.08	1.00	10.64	8.26
3901F-A00130 33	8.26	8.26	2.08	1.00	10.64	8.26
3901F-A00130 34	8.26	8.26	2.08	1.00	10.64	8.26
3901F-A00130 36	8.26	8.26	2.08	1.00	10.64	8.26
3901F-A00140 03	14.37	14.37	3.46	1.00	18.57	14.37
3901F-A00140 01	14.37	14.37	3.46	1.00	18.57	14.37
3901F-A00140 08	14.37	14.37	3.46	1.00	18.57	14.37
3901F-A00140 32	14.37	14.37	3.46	1.00	18.57	14.37
3901F-A00140 33	14.37	14.37	3.46	1.00	18.57	14.37
3901F-A00140 34	14.37	14.37	3.46	1.00	18.57	14.37
3901F-A00140 36	14.37	14.37	3.46	1.00	18.57	14.37
3901F-A00150 03	21.94	21.94	3.65	1.00	28.99	21.94
3901F-A00150 01	21.94	21.94	3.65	1.00	28.99	21.94
3901F-A00150 08	21.94	21.94	3.65	1.00	28.99	21.94
3901F-A00150 32	21.94	21.94	3.65	1.00	28.99	21.94
3901F-A00150 33	21.94	21.94	3.65	1.00	28.99	21.94
3901F-A00150 34	21.94	21.94	3.65	1.00	28.99	21.94
3901F-A00150 36	21.94	21.94	3.65	1.00	28.99	21.94
3901F-A00121 03	2.69	2.69	1.67	1.00	3.08	2.69
3901F-A00121 01	2.69	2.69	1.67	1.00	3.08	2.69
3901F-A00121 08	2.69	2.69	1.67	1.00	3.08	2.69
3901F-A00121 32	2.69	2.69	1.67	1.00	3.08	2.69
3901F-A00121 33	2.69	2.69	1.67	1.00	3.08	2.69
3901F-A00121 34	2.69	2.69	1.67	1.00	3.08	2.69
3901F-A00121 36	2.69	2.69	1.67	1.00	3.08	2.69
3901F-A00131 03	3.36	3.36	1.86	1.00	3.94	3.36
3901F-A00131 01	3.36	3.36	1.86	1.00	3.94	3.36
3901F-A00131 08	3.36	3.36	1.86	1.00	3.94	3.36
3901F-A00131 32	3.36	3.36	1.86	1.00	3.94	3.36
3901F-A00131 33	3.36	3.36	1.86	1.00	3.94	3.36
3901F-A00131 34	3.36	3.36	1.86	1.00	3.94	3.36
3901F-A00131 36	3.36	3.36	1.86	1.00	3.94	3.36

Extrapolation Factors

Product name	Manufacturing	Distribution	Installation	Use	End of life	Benefits
3901F-A00141 03	4.81	4.81	3.46	1.00	5.33	4.81
3901F-A00141 01	4.81	4.81	3.46	1.00	5.33	4.81
3901F-A00141 08	4.81	4.81	3.46	1.00	5.33	4.81
3901F-A00141 32	4.81	4.81	3.46	1.00	5.33	4.81
3901F-A00141 33	4.81	4.81	3.46	1.00	5.33	4.81
3901F-A00141 34	4.81	4.81	3.46	1.00	5.33	4.81
3901F-A00141 36	4.81	4.81	3.46	1.00	5.33	4.81
3901E-A00110 03	1.83	1.83	1.13	1.00	2.10	1.83
3901E-A00110 01	1.83	1.83	1.13	1.00	2.10	1.83
3901E-A00110 04	1.83	1.83	1.13	1.00	2.10	1.83
3901E-A00120 03	4.10	4.10	1.67	1.00	5.03	4.10
3901E-A00120 01	4.10	4.10	1.67	1.00	5.03	4.10
3901E-A00120 04	4.10	4.10	1.67	1.00	5.03	4.10
3901E-A00130 03	8.13	8.13	2.08	1.00	10.46	8.13
3901E-A00130 01	8.13	8.13	2.08	1.00	10.46	8.13
3901E-A00130 04	8.13	8.13	2.08	1.00	10.46	8.13
3901E-A00140 03	14.23	14.23	3.46	1.00	18.38	14.23
3901E-A00140 01	14.23	14.23	3.46	1.00	18.38	14.23
3901E-A00140 04	14.23	14.23	3.46	1.00	18.38	14.23
3901E-A00150 03	21.81	21.81	3.65	1.00	28.81	21.81
3901E-A00150 01	21.81	21.81	3.65	1.00	28.81	21.81
3901E-A00150 04	21.81	21.81	3.65	1.00	28.81	21.81
3901E-A00121 03	2.64	2.64	1.67	1.00	3.01	2.64
3901E-A00121 01	2.64	2.64	1.67	1.00	3.01	2.64
3901E-A00121 04	2.64	2.64	1.67	1.00	3.01	2.64
3901E-A00131 03	3.41	3.41	2.08	1.00	3.93	3.41
3901E-A00131 01	3.41	3.41	2.08	1.00	3.93	3.41
3901E-A00131 04	3.41	3.41	2.08	1.00	3.93	3.41
3901E-A00141 03	4.54	4.54	3.46	1.00	4.96	4.54
3901E-A00141 01	4.54	4.54	3.46	1.00	4.96	4.54
3901E-A00141 04	4.54	4.54	3.46	1.00	4.96	4.54
3901G-A00010 B1	0.88	1.02	1.00	1.00	1.02	0.88
3901G-A00010 C1	0.88	1.02	1.00	1.00	1.02	0.88
3901G-A00010 D1	0.88	1.02	1.00	1.00	1.02	0.88
3901G-A00010 S1	0.88	1.02	1.00	1.00	1.02	0.88
3901G-A00010 H1	0.88	1.02	1.00	1.00	1.02	0.88
3901G-A00020 B1	1.52	1.76	1.67	1.00	1.80	1.52
3901G-A00020 C1	1.52	1.76	1.67	1.00	1.80	1.52
3901G-A00020 D1	1.52	1.76	1.67	1.00	1.80	1.52
3901G-A00020 S1	1.52	1.76	1.67	1.00	1.80	1.52
3901G-A00020 H1	1.52	1.76	1.67	1.00	1.80	1.52
3901G-A00030 B1	2.55	2.95	2.76	1.00	3.03	2.55

Glossary

Environmental impact Indicators

GWP-total	Global Warming Potential total (Climate hange)
GWP-fossil	Global Warming Potential fossil
GWP-biogenic	Global Warming Potential biogenic
GWP-luluc	Global Warming Potential land use and land use change
ODP	Depletion potential of the stratospheric ozone layer
AP	Acidification potential
EP-freshwater	Eutrophication potential - freshwater compartment
EP-marine	Eutrophication potential - fraction of nutrients reachin marine end compartment
EP-terrestrial	Eutrophication potential - Accumulated Exceedance
POCP	Formation potential of tropospheric ozone
ADP-m&m	Abiotic Depletion for non-fossil resources potential
ADP-fossil	Abiotic Depletion for fossil resources potential, WDP
WDP	Water deprivation potential

Resource indicators

PENRE	Use of non-renewable primary energy excluding renewable primary energy resources used as raw material
PENRM	Use of non-renewable primary energy resources used as raw material
PENRT	Total use of non-renewable primary energy resources (primary energy and primary energy resources used as raw materials)
PERE	Use of renewable primary energy excluding non-renewable primary energy resources used as raw material.
PERM	Use of renewable primary energy resources used as raw material
PERT	Total use of renewable primary energy resources (primary energy and primary energy resources used as raw materials)

Secondary materials, water and energy resources		Waste category indicators	
SM	Use of secondary materials	HWD	Hazardous waste disposed
RSF	Use of renewable secondary fuels	N-HWD	Non-hazardous waste disposed
NRSF	Use of non-renewable secondary fuels	RWD	Radioactive waste disposed
FW	Net use of fresh water		

Output flow indicators

CfRu	Components for re-use
MfR	Materials for recycling
MfER	Materials for energy recovery
EE	Exported Energy