

RJ45 connector - VS-PPC-C1-RJ45-MNNA-PG9-4Q5 - 1608100

Please be informed that the data shown in this PDF Document is generated from our Online Catalog. Please find the complete data in the user's documentation. Our General Terms of Use for Downloads are valid (<http://phoenixcontact.com/download>)




RJ45 connector, degree of protection: IP65/IP67, number of positions: 4, 100 Mbps, CAT5 (IEC 11801:2002), material: Zinc die-cast, connection method: IDC fast connection, connection cross section: AWG 26- 22, cable outlet: straight, color: silver

Push/pull connector



Key Commercial Data

Packing unit	1 pc
GTIN	 4 046356 159944
GTIN	4046356159944

Technical data

Mechanical characteristics

Connection method	IDC fast connection
Minimum external conductor diameter	5 mm
Maximum external conductor diameter	8 mm
Overvoltage category	I
AWG solid min.	26
AWG solid max.	22
AWG multi-stranded min.	26
AWG multi-stranded max.	22
Degree of pollution	2
Cable outlet	straight
No. of cable outlets	1
Locking type	Push Pull
Conductor cross section	0.13 mm ² ... 0.32 mm ² (solid) 0.14 mm ² ... 0.36 mm ² (flexible)
Weight	67.04 g
Flammability rating according to UL 94	V0

RJ45 connector - VS-PPC-C1-RJ45-MNNA-PG9-4Q5 - 1608100

Technical data

Ambient conditions

Ambient temperature (operation)	-40 °C ... 70 °C
Ambient temperature (assembly)	-5 °C ... 45 °C
Ambient temperature (storage/transport)	-40 °C ... 80 °C

Material data

Contact surface material	Au/Ni
Contact material	Cu/Sn
Contact carrier material	PC
Cable gland material	CuZn
Seal material	TPE
	NBR
	NBR
Housing material	Zinc die-cast
Housing surface material	Nickel-plated
Seal material, O-ring	NBR
Seal material cable seal	TPE
Seal material	NBR
Width	22 mm
Height	30 mm
Length	72 mm
Wrench size	17.00 mm
Housing surface material 1	Cu/Ni

Electrical characteristics

Number of positions	4
Nominal voltage U_N	48 V
Nominal current I_N	1.75 A
Transmission characteristics (category)	CAT5 (IEC 11801:2002)
GRP transmission properties	CAT5 (IEC 11801:2002) CAT5 (IEC 11801:2002)
Transmission speed	100 Mbps
Rated current	1.75 A
Overvoltage category	I
Degree of pollution	2
Contact resistance	0.001 Ω (Wire – IDC)
	0.005 Ω (Litz wires – IDC)
Rated voltage (III/3)	72 V (DC)

Standards and Regulations

Standards/specifications	IEC PAS 61076-3-117
Connection in acc. with standard	CUL
Flammability rating according to UL 94	V0

Environmental Product Compliance

RJ45 connector - VS-PPC-C1-RJ45-MNNA-PG9-4Q5 - 1608100

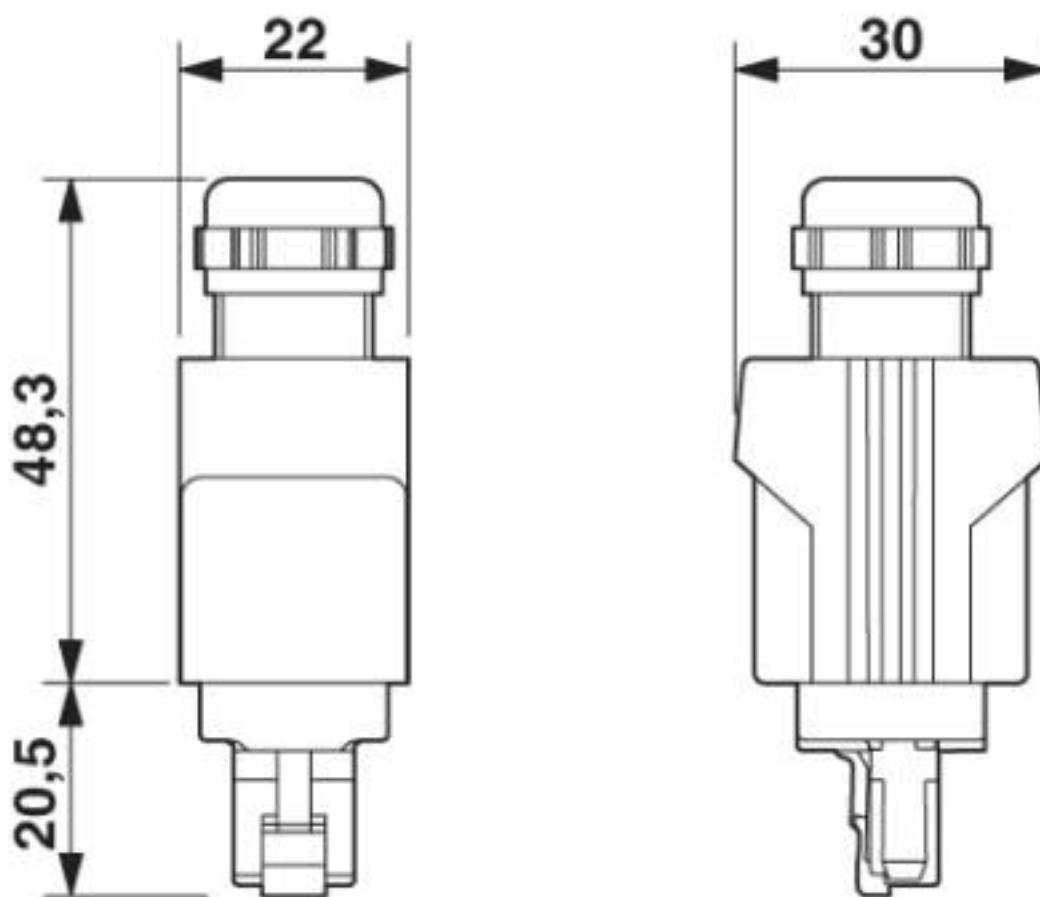
Technical data

Environmental Product Compliance

REACH SVHC	Lead 7439-92-1
China RoHS	Environmentally Friendly Use Period = 50 years
	For details about hazardous substances go to tab "Downloads", Category "Manufacturer's declaration"

Drawings

Dimensional drawing



Push-pull RJ45 connector IP65/67

Classifications

eCl@ss

eCl@ss 10.0.1	27440101
eCl@ss 11.0	27440101
eCl@ss 4.0	27260700
eCl@ss 4.1	27260700

RJ45 connector - VS-PPC-C1-RJ45-MNNA-PG9-4Q5 - 1608100

Classifications

eCl@ss

eCl@ss 5.0	27260700
eCl@ss 5.1	27260700
eCl@ss 6.0	27260700
eCl@ss 7.0	27440101
eCl@ss 8.0	27440101
eCl@ss 9.0	27440101

ETIM

ETIM 2.0	EC000438
ETIM 3.0	EC000438
ETIM 4.0	EC000438
ETIM 5.0	EC002636
ETIM 6.0	EC002636
ETIM 7.0	EC002636

UNSPSC

UNSPSC 6.01	30211923
UNSPSC 7.0901	39121522
UNSPSC 11	39121522
UNSPSC 12.01	39121522
UNSPSC 13.2	39121409
UNSPSC 18.0	39121409
UNSPSC 19.0	39121409
UNSPSC 20.0	39121409
UNSPSC 21.0	39121409

Approvals

Approvals

Approvals

UL Recognized / cUL Recognized / EAC / cULus Recognized

Ex Approvals

Approval details

RJ45 connector - VS-PPC-C1-RJ45-MNNA-PG9-4Q5 - 1608100

Approvals

UL Recognized		http://database.ul.com/cgi-bin/XYV/template/LISEXT/1FRAME/index.htm	FILE E 118976
Nominal voltage UN		50 V	
Nominal current IN		1.75 A	
mm ² /AWG/kcmil		22	

cUL Recognized		http://database.ul.com/cgi-bin/XYV/template/LISEXT/1FRAME/index.htm	FILE E 118976
Nominal voltage UN		50 V	
Nominal current IN		1.75 A	
mm ² /AWG/kcmil		22	

EAC		B.01687
-----	--	---------

cULus Recognized	
------------------	--

Accessories

Accessories

Data cable by the meter

Network cable - NBC-93C/... - 1408538



By the meter, Network cable, PROFINET CAT5 (100 Mbps), EtherCAT® CAT5 (100 Mbps), shielded, PUR/FRNC halogen-free, green RAL 6018, 4-wire (1x4xAWG22/7; SF/TQ), color single wire: White, yellow, blue, orange, cable length: Free input (110.0 ... 500 m), Supplied on a cable drum in up to two parts (details: see technical data)

Panel mounting frame

RJ45 connector - VS-PPC-C1-RJ45-MNNA-PG9-4Q5 - 1608100

Accessories

Panel mounting frames - CUC-V14-F1ZNI-EM/R40 - 1413963



RJ45 panel mounting frame, IP67, for push-pull interlocking, metal, for PCB connection, for square panel cutout, with grommet and mounting screws

Stripping tool - VS-CABLE-STRIP-VARIO - 1657407



Stripping tool, for the multi-level stripping of shielded cables

Phoenix Contact 2020 © - all rights reserved
<http://www.phoenixcontact.com>

PHOENIX CONTACT GmbH & Co. KG
Flachsmarktstr. 8
32825 Blomberg
Germany
Tel. +49 5235 300
Fax +49 5235 3 41200
<http://www.phoenixcontact.com>