

Adapter - HC-B-TA-M25-PLR-BK - 1414244

Please be informed that the data shown in this PDF Document is generated from our Online Catalog. Please find the complete data in the user's documentation. Our General Terms of Use for Downloads are valid (<http://phoenixcontact.com/download>)



Adapter, plastic, for EVO housing, M25 thread



Key Commercial Data

Packing unit	1 pc
GTIN	
GTIN	4055626021973

Technical data

Dimensions

Length of internal thread	10 mm
---------------------------	-------

Ambient conditions

Ambient temperature (operation)	-40 °C ... 100 °C
---------------------------------	-------------------

General

Material	PA
Housing material	PA
Sealing material	NBR (O-ring)
Flammability rating according to UL 94	V0
Thread type on seal side	M25
Torque	8 Nm (Tightening torque of screw connection to be screwed in)
Color	black
Assembly instructions	Bayonet locking max. 3x can be removed

Standards and Regulations

Flammability rating according to UL 94	V0
--	----

Environmental Product Compliance

Adapter - HC-B-TA-M25-PLR-BK - 1414244

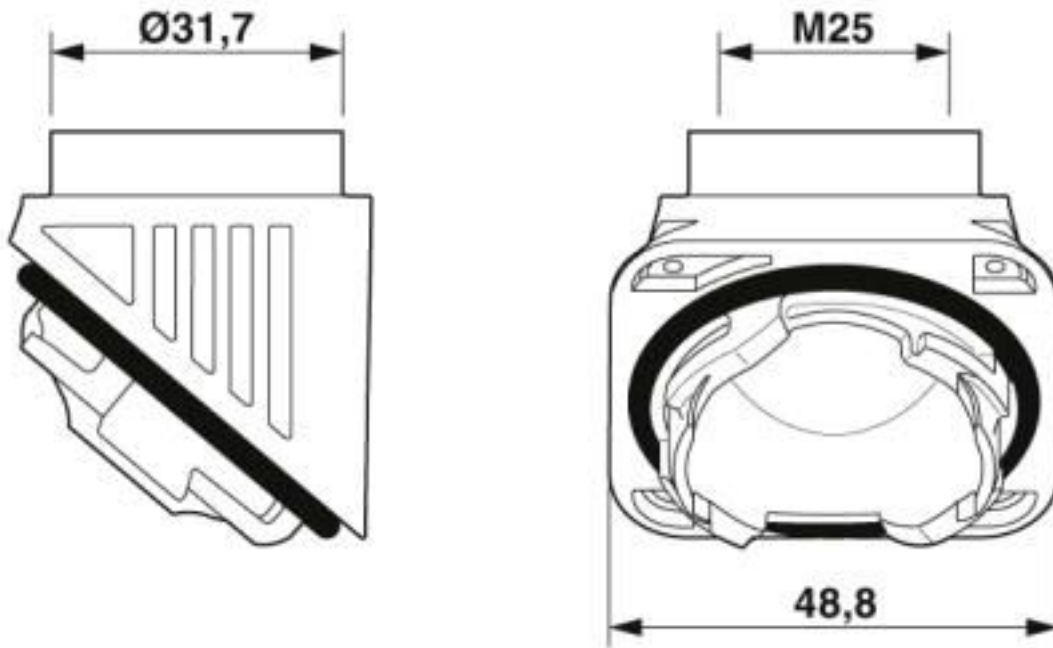
Technical data

Environmental Product Compliance

China RoHS	Environmentally friendly use period: unlimited = EFUP-e
	No hazardous substances above threshold values

Drawings

Dimensional drawing



Dimensional drawing

Classifications

eCl@ss

eCl@ss 10.0.1	27440192
eCl@ss 11.0	27440192
eCl@ss 4.0	27140800
eCl@ss 4.1	27140800
eCl@ss 5.0	27143400
eCl@ss 5.1	27143400
eCl@ss 6.0	27143400
eCl@ss 7.0	27440209
eCl@ss 8.0	27440209
eCl@ss 9.0	27440192

Adapter - HC-B-TA-M25-PLR-BK - 1414244

Classifications

ETIM

ETIM 5.0	EC002635
ETIM 6.0	EC002635
ETIM 7.0	EC002635

UNSPSC

UNSPSC 13.2	39121408
UNSPSC 18.0	39121421
UNSPSC 19.0	39121421
UNSPSC 20.0	39121421
UNSPSC 21.0	39121421

Approvals

Approvals



Approvals

UL Recognized / cUL Recognized / EAC / DNV GL / cULus Recognized



Ex Approvals



Approval details

UL Recognized		http://database.ul.com/cgi-bin/XYV/template/LISEXT/1FRAME/index.htm	E255026
---------------	--	---	---------

cUL Recognized		http://database.ul.com/cgi-bin/XYV/template/LISEXT/1FRAME/index.htm	E255026
----------------	--	---	---------

EAC			RU C- DE.AI30.B.01102
-----	--	--	--------------------------

DNV GL		https://approvalfinder.dnvgl.com/	TAE000037S
--------	--	---	------------

Adapter - HC-B-TA-M25-PLR-BK - 1414244

Approvals

cULus Recognized



Accessories

Accessories

Corrugated pipe screw connection

Screw connection - WP-G HF IP66 M25 BK - 3240899



Cable gland, metric thread, IP66 protection, straight

Full screw connection

Cable gland - G-INS-M25-M68N-PNES-BK - 1411134



Cable gland, cable gland material: PA, external cable diameter 11 mm ... 17 mm, shielding: no, connecting thread: M25 x 1.5, color: jet black RAL 9005

Cable gland - G-INS-M25-L68N-PNES-BK - 1424482



Cable gland, cable gland material: PA, external cable diameter 13 mm ... 18 mm, shielding: no, connecting thread: M25 x 1.5, color: jet black RAL 9005

Phoenix Contact 2020 © - all rights reserved
<http://www.phoenixcontact.com>

PHOENIX CONTACT GmbH & Co. KG
Flachsmarktstr. 8
32825 Blomberg
Germany
Tel. +49 5235 300
Fax +49 5235 3 41200
<http://www.phoenixcontact.com>