

## Cable sleeve - CES-STPG-GY-2X8 - 1410123

Please be informed that the data shown in this PDF Document is generated from our Online Catalog. Please find the complete data in the user's documentation. Our General Terms of Use for Downloads are valid (<http://phoenixcontact.com/download>)




Cable sleeve, no. of conductors: 2, length: 29.5 mm, width: 19.5 mm, height: 17 mm, external cable diameter: 2x 7.4 mm ... 7.7 mm , color: gray

### Product Description

Slotted cable sleeve



### Key Commercial Data

Packing unit	10 pc
GTIN	 4 046356 776264
GTIN	4046356776264

### Technical data

#### Dimensions

External cable diameter	2x 7.4 mm ... 7.7 mm
Length	29.5 mm
Width	19.5 mm
Height	17 mm

#### Ambient conditions

Degree of protection	IP54
Ambient temperature (operation)	-40 °C ... 80 °C (static)

#### General

No. of conductors	2
Material	SEBS
	SEBS (halogen-free)
Flammability rating according to UL 94	V0
Color	gray

### Standards and Regulations

# Cable sleeve - CES-STPG-GY-2X8 - 1410123

## Technical data

### Standards and Regulations

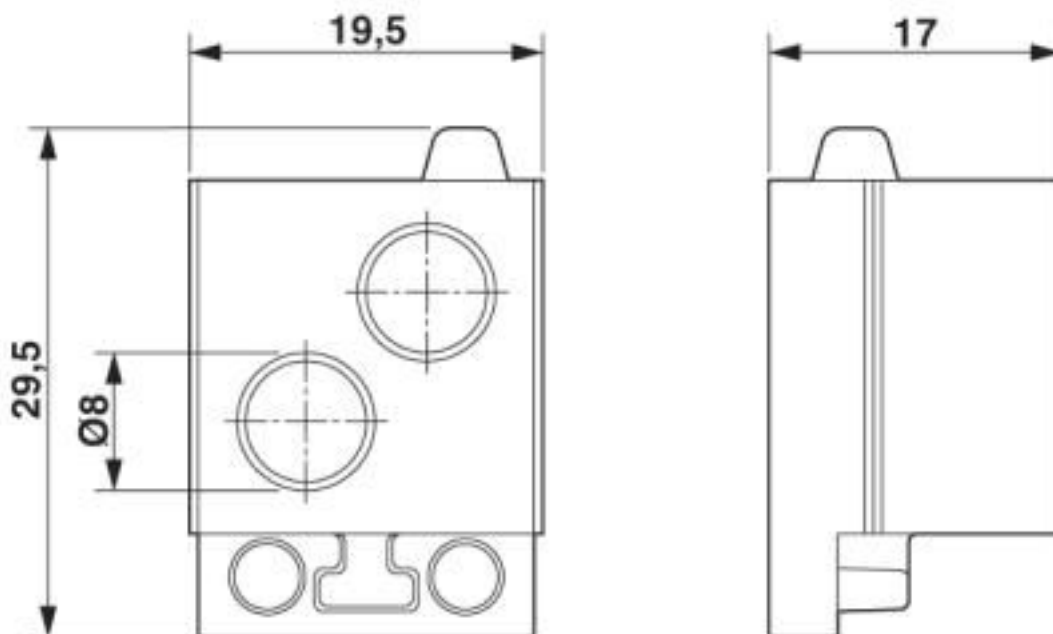
Connection in acc. with standard	CUL
Flammability rating according to UL 94	V0

### Environmental Product Compliance

China RoHS	Environmentally friendly use period: unlimited = EFUP-e
	No hazardous substances above threshold values

## Drawings

Dimensional drawing



Dimensional drawing

## Classifications

eCl@ss

eCl@ss 10.0.1	27144425
eCl@ss 11.0	27144425
eCl@ss 4.0	27081000
eCl@ss 4.1	27081000
eCl@ss 5.0	27081000
eCl@ss 5.1	27081000
eCl@ss 6.0	27081000
eCl@ss 7.0	27069220
eCl@ss 8.0	27069220

# Cable sleeve - CES-STPG-GY-2X8 - 1410123

## Classifications

### eCl@ss

eCl@ss 9.0	27144425
------------	----------

### ETIM

ETIM 3.0	EC000879
ETIM 4.0	EC002498
ETIM 5.0	EC000451
ETIM 6.0	EC000451
ETIM 7.0	EC000451

### UNSPSC

UNSPSC 6.01	30212109
UNSPSC 7.0901	39121708
UNSPSC 11	39121708
UNSPSC 12.01	39121708
UNSPSC 13.2	30181807
UNSPSC 18.0	39121448
UNSPSC 19.0	39121448
UNSPSC 20.0	39121448
UNSPSC 21.0	39121448

## Approvals


### Approvals


#### Approvals

UL Recognized / cUL Recognized / DNV GL / cULus Recognized

#### Ex Approvals

### Approval details

UL Recognized		<a href="http://database.ul.com/cgi-bin/XYV/template/LISEXT/1FRAME/index.htm">http://database.ul.com/cgi-bin/XYV/template/LISEXT/1FRAME/index.htm</a>	NITW2.E255026
---------------	---	---	---------------

cUL Recognized		<a href="http://database.ul.com/cgi-bin/XYV/template/LISEXT/1FRAME/index.htm">http://database.ul.com/cgi-bin/XYV/template/LISEXT/1FRAME/index.htm</a>	NITW8.E255026
----------------	---	---	---------------

## Cable sleeve - CES-STPG-GY-2X8 - 1410123

### Approvals

DNV GL



<https://approvalfinder.dnvgl.com/>

TAE00003VJ

cULus Recognized



Phoenix Contact 2020 © - all rights reserved  
<http://www.phoenixcontact.com>

PHOENIX CONTACT GmbH & Co. KG  
Flachsmarktstr. 8  
32825 Blomberg  
Germany  
Tel. +49 5235 300  
Fax +49 5235 3 41200  
<http://www.phoenixcontact.com>